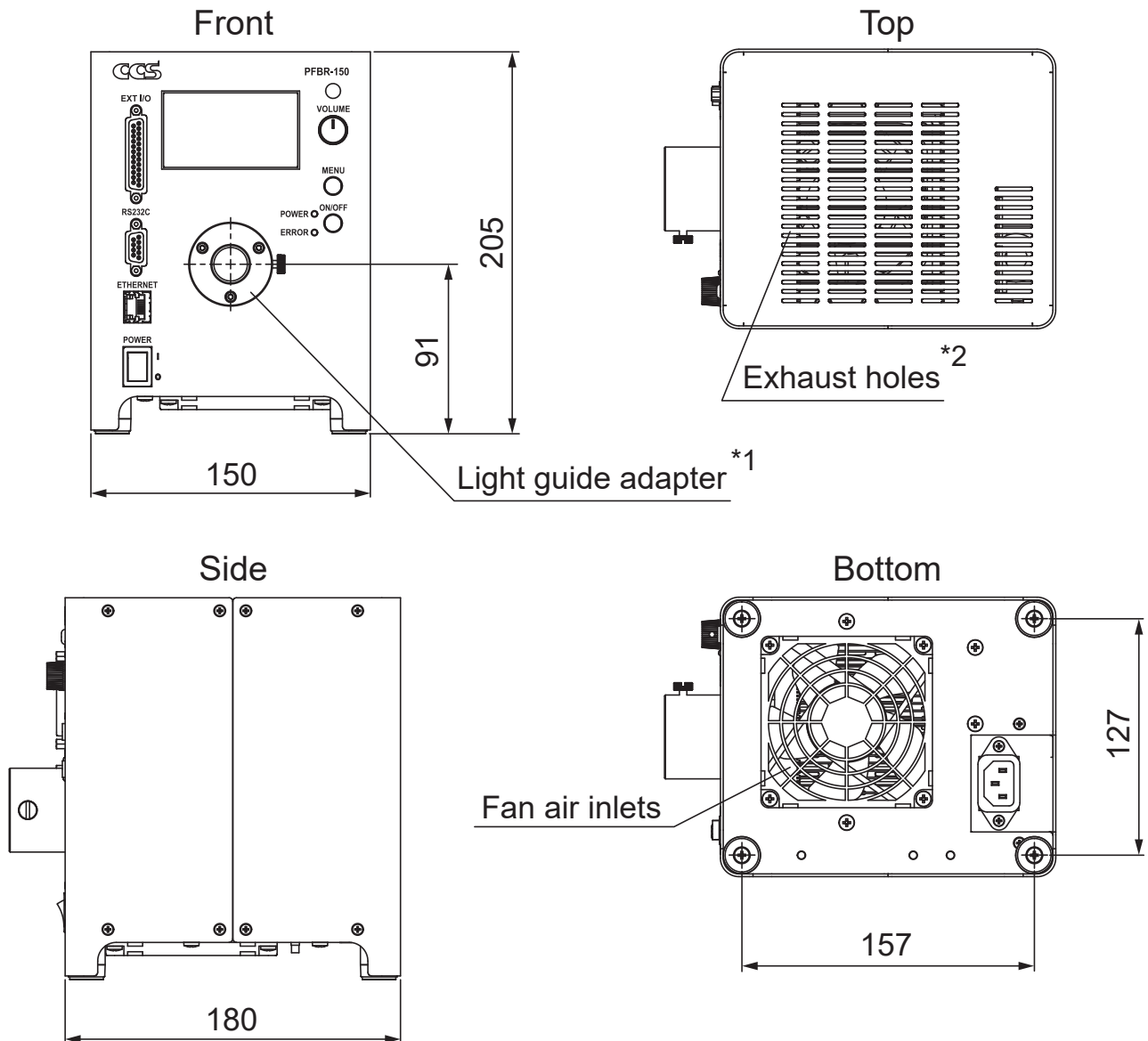


## ➤ Dimensions (mm)



\*1 A light guide adapter is not provided with the LED Light Source. Order one separately.

The shape of the light guide adapter depends on the details of the order.

\*2 Installation method: Do not place any objects within 100 mm of the exhaust holes on the top panel.

We accept custom orders.  
Please feel free to inquire.

- Changes in wavelength (red, blue, and green)
- Change in light distribution angle, etc.