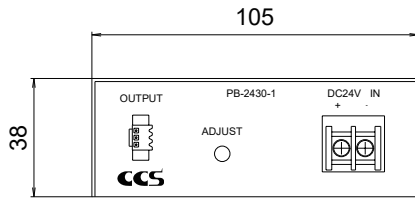
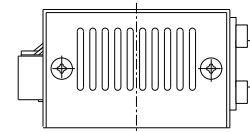


➤ Dimensions (mm)



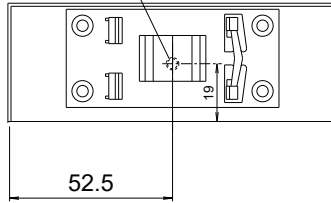
Front



Side

M4 (rear)*

Screw insertion depth:
3 mm or less



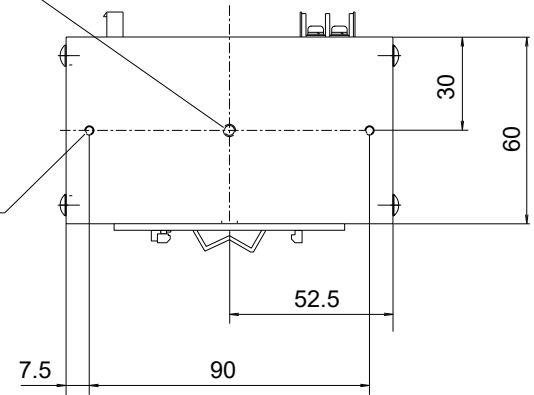
Rear

M4 (bottom)

Screw insertion depth:
3 mm or less

2-M3 (bottom)

Screw insertion depth:
3 mm or less



Bottom

* Remove the DIN rail bracket to find the hole.