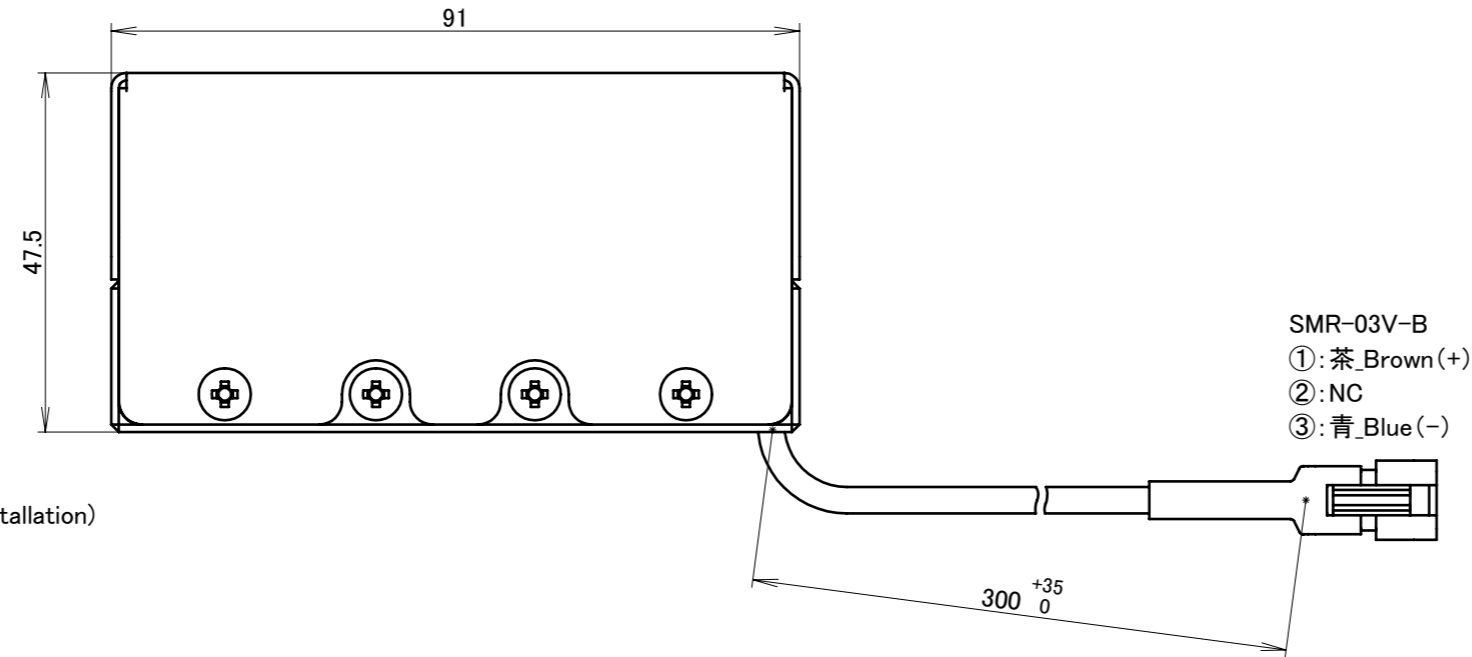
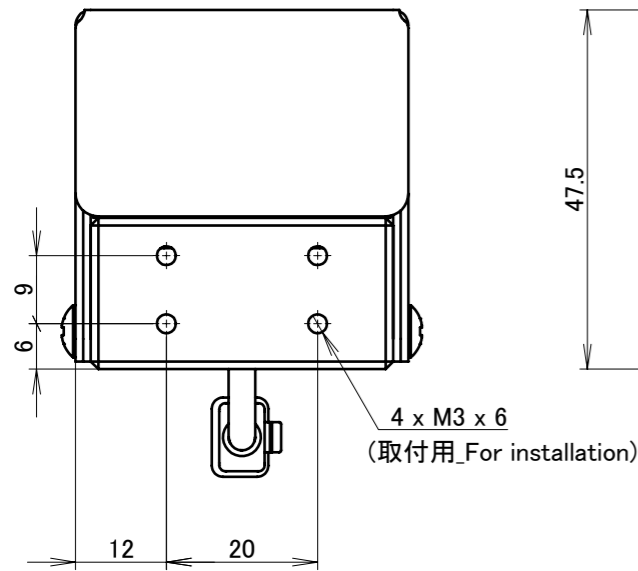
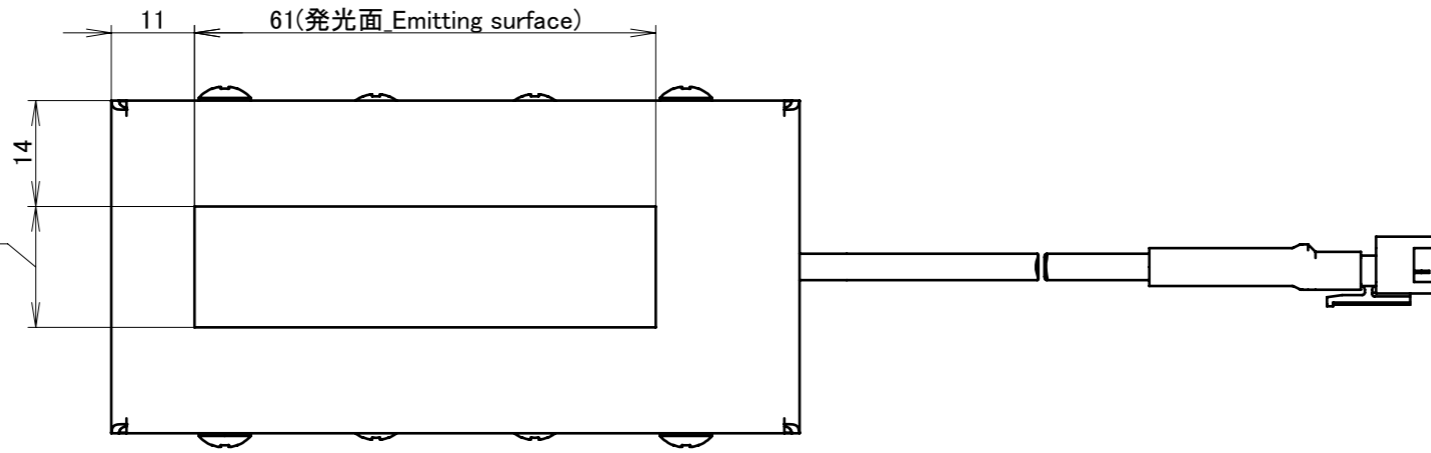


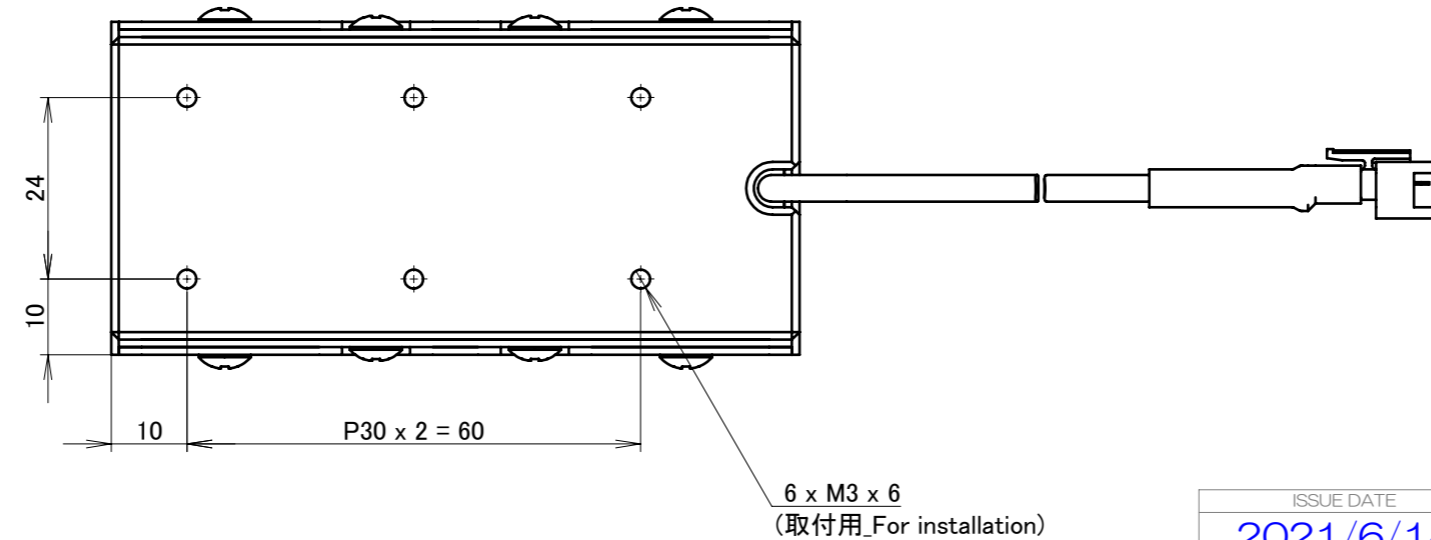
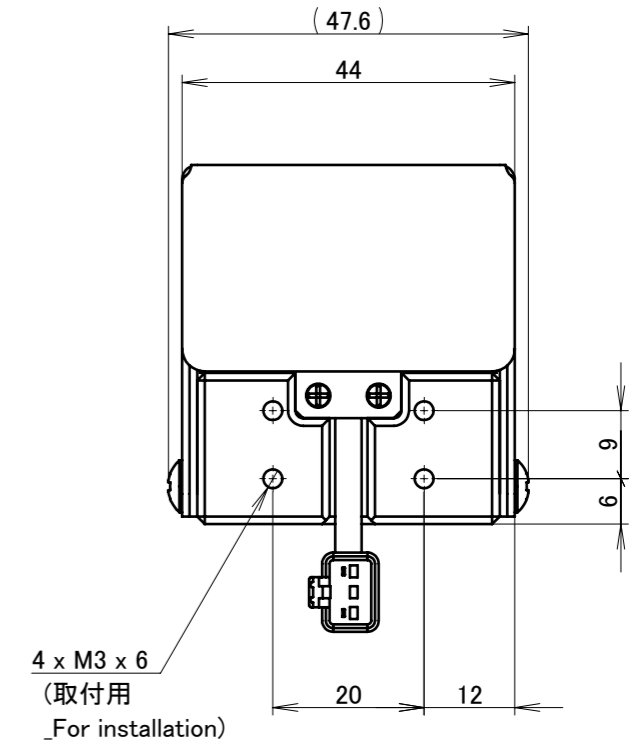
LN-61VL3-○

(○ : 385/395/405)

16(発光面_Emitting surface)



SMR-03V-B
 ①: 茶_Brown(+)
 ②: NC
 ③: 青_Blue(-)



入力電圧_Input Voltage : DC 24V
 消費電力_Power Consumption : 7.6W
 質量_Mass : 0.430kg(概算_Approx.)

UNIT:mm

REVISION	DATE	DESCRIPTION	REVISED
000			

ISSUE DATE	SCALE	APPROVED	NAME
2021/6/14	1:1	T.OSAWA	LN-61VL3-○ (○ : 385/395/405)
	SHEET SIZE	CHECKED	DRAWING NAME
	A3	Y.INOUE	外觀図_outline
	PROJECTION	DESIGNED	DRAWING No.
		A.FUKUMOTO	
		DRAWN	REVISION
		A.FUKUMOTO	000
			01
			01

