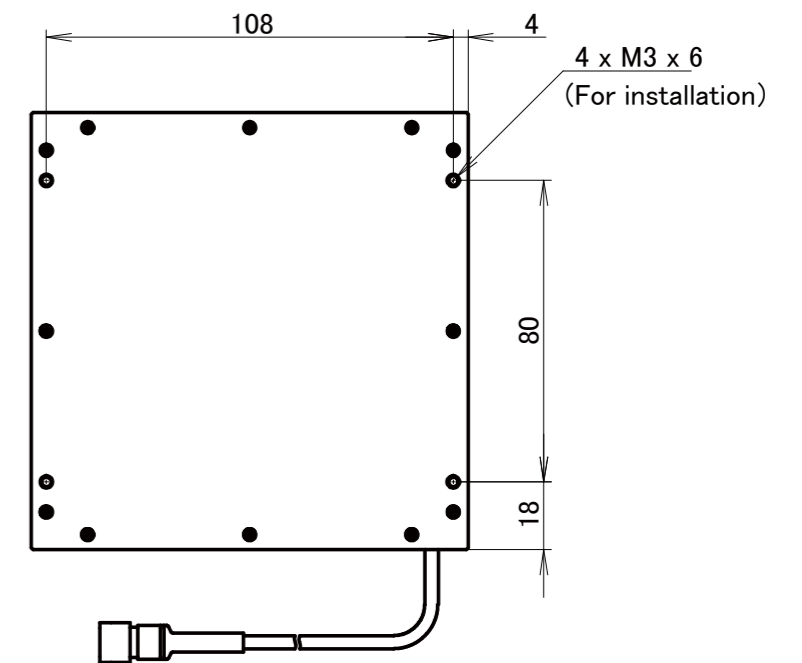
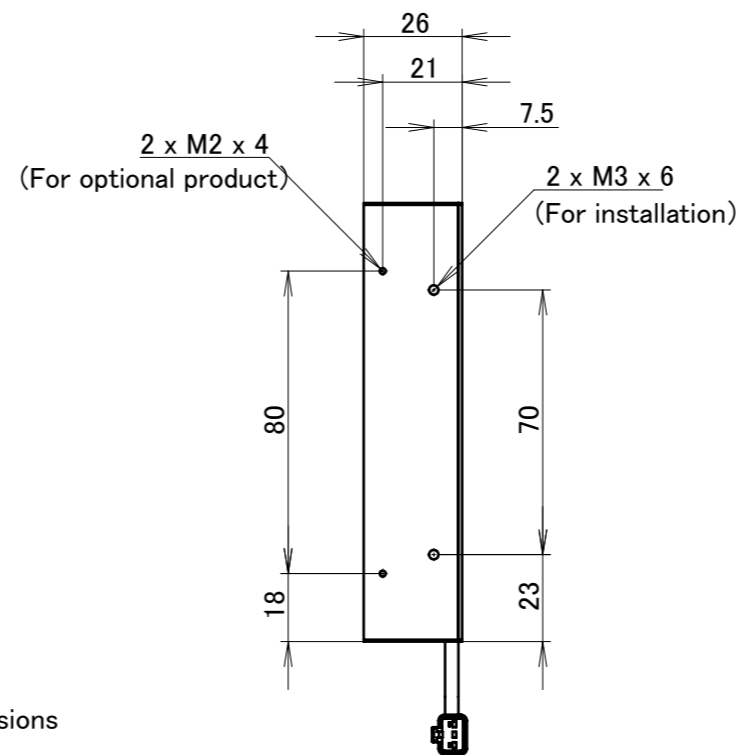
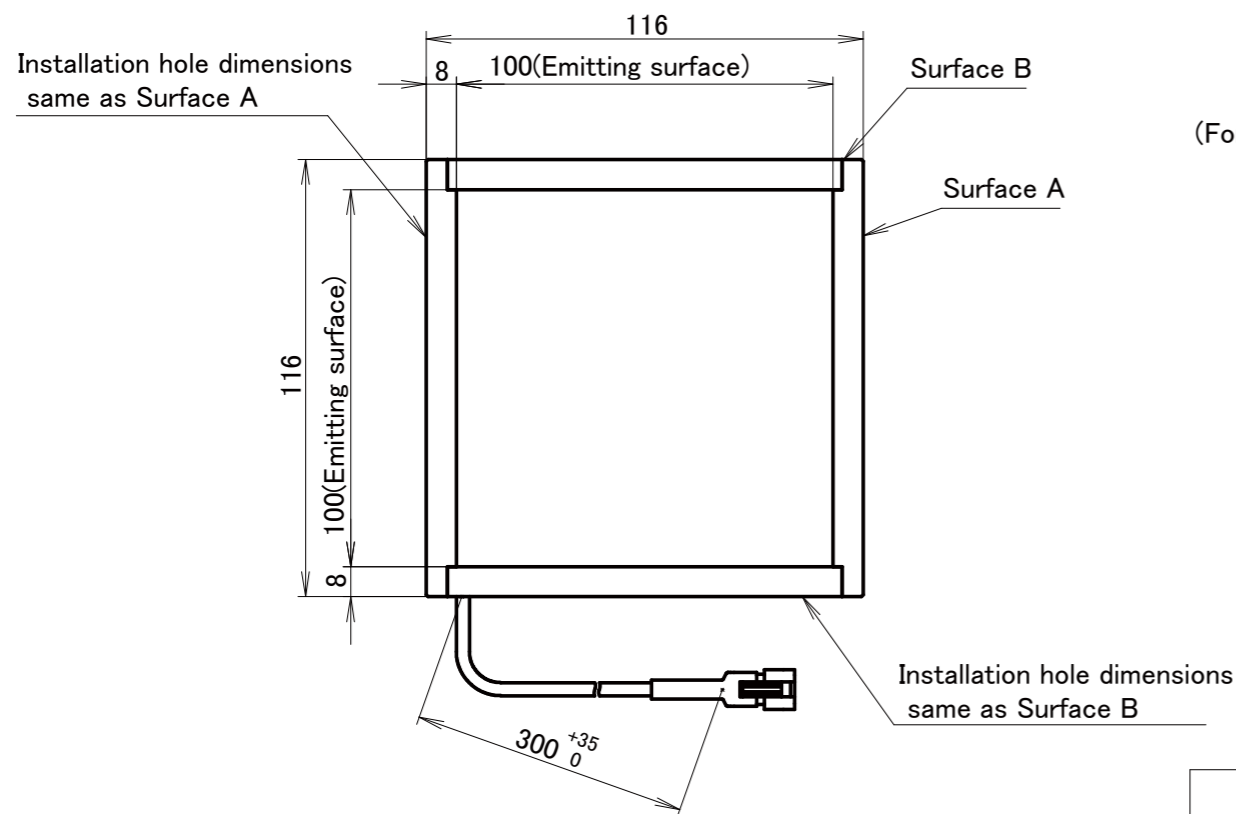
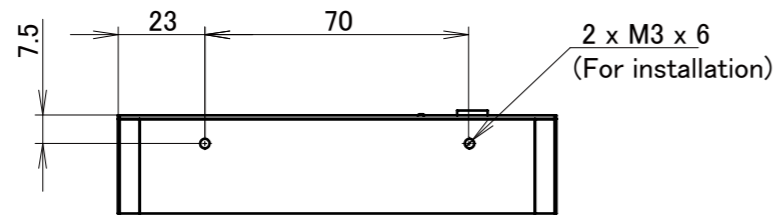


TH2-100X100IR105/TH2-100X100IR120 /TH2-100X100IR130 TH2-100X100IR145/TH2-100X100IR155 /TH2-100X100IR165

Unit: mm



Model	Power consumption
TH2-100X100IR105	16W max.
TH2-100X100IR120	13W max.
TH2-100X100IR130	13W max.
TH2-100X100IR145	12W max.
TH2-100X100IR155	12W max.
TH2-100X100IR165	12W max.

Input Voltage : DC 24V
Power Consumption : Table reference
Mass : 0.3kg(Approx.)