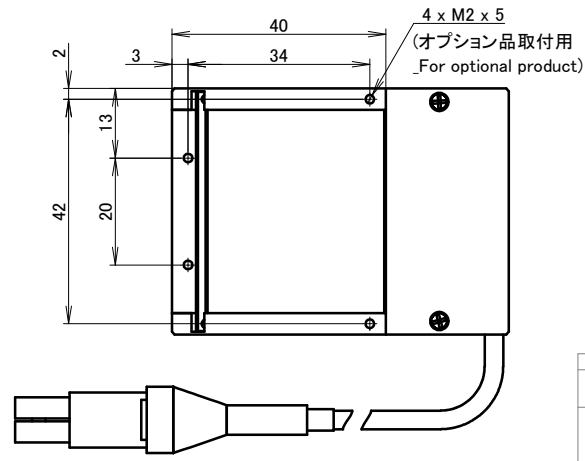
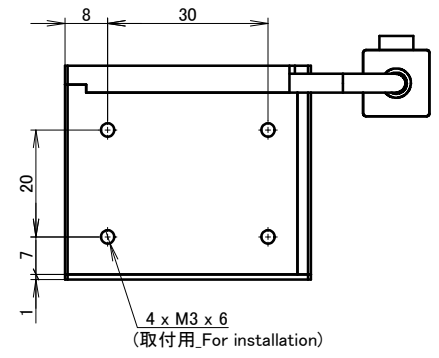
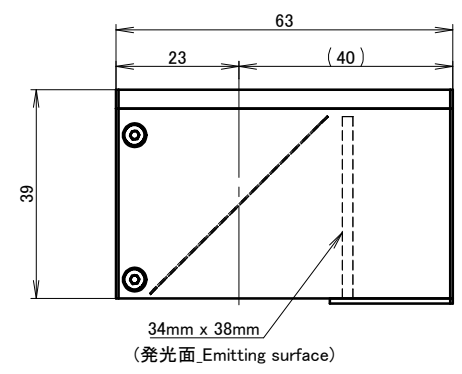
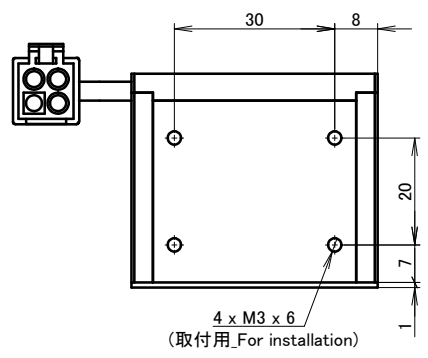
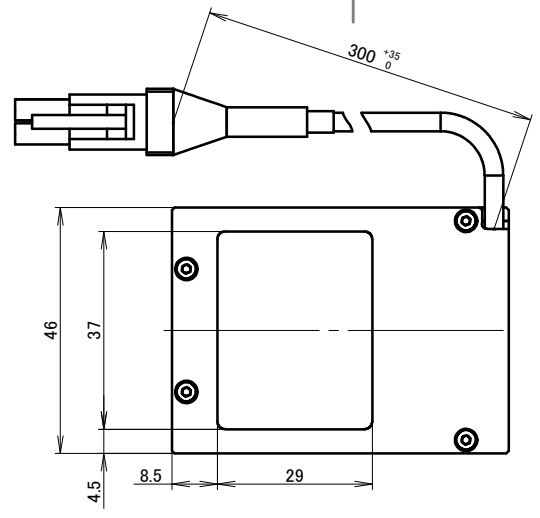


ELP-04NV
 ①:茶_Brown(+)
 ②:NC
 ③:青_Blue(-)
 ④:NC



型式_Model	ピーク電流_Peak current
LFV-G-PF-35SW	8.0A
LFV-G-PF-35RD	8.0A

入力電圧_Input Voltage : DC 48V
 ピーク電流_Peak current : 表参照_Table reference
 質量_Mass : 0.150kg(概算_Approx.)

※常時点灯しないで下さい。この照明には点灯条件に制限があります。
 点灯条件:パルス幅 500μs以下、デューティー比1%以下
 Do not light up the illuminator continuously.
 This illuminator has some restrictions for lighting-up condition.
 Please keep strictly the duty cycle under 1% and pulse width under 500μs.

UNIT:mm

REVISION	DATE	DESCRIPTION	REVISED
000			

ISSUE DATE	SCALE	APPROVED	NAME
2022/07/21	1:1	T.OSAWA	LFV-G-PF-35 series
		CHECKED	DRAWING NAME
	SHEET SIZE	H.AOKI	外観図_outline
	A3	DESIGNED	
	PROJECTION	A.FUKUMOTO	DRAWING No.
		DRAWN	UA40647-G
		A.FUKUMOTO	



REVISION	SHEET
000	01/01