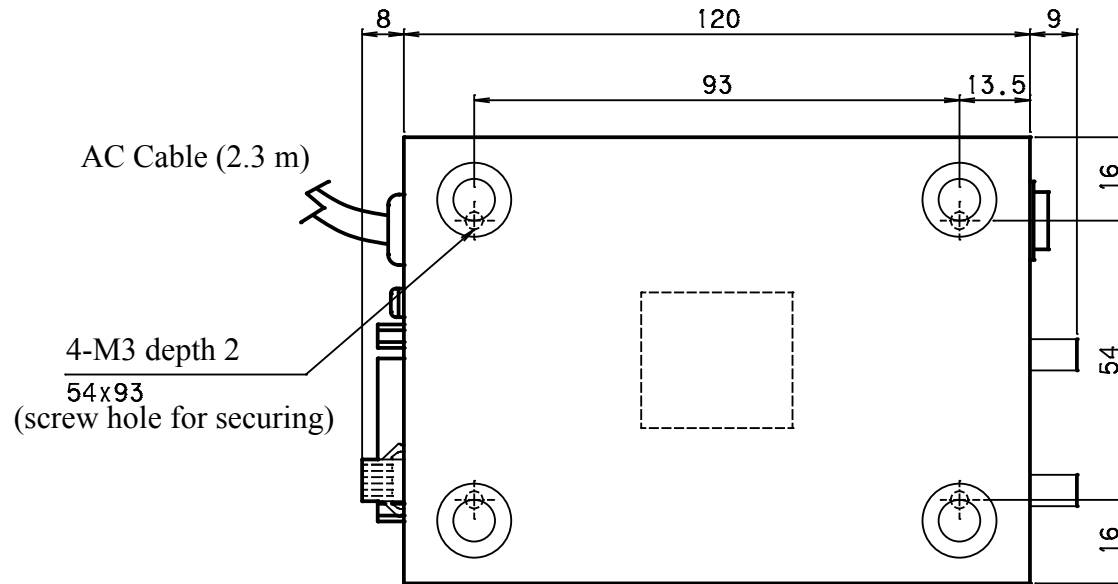


PD2-1024(A)

Model name	PD2-1024(A)
Input voltage(rating)	100 to 120 VAC
Power consumption	27VA
Output connector	3P (1: +, 2: NC, 3: -) x1
Weight	700g

Units: mm



External control connector
D-Sub 15pin

