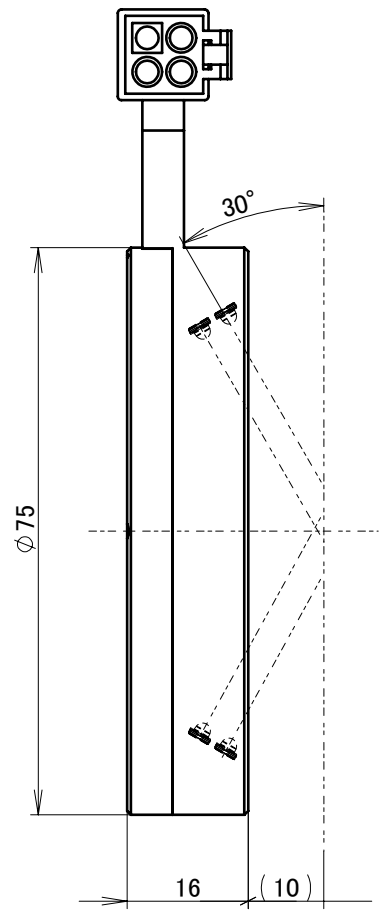


ELP-04NV\_Connector 4P

- ①: 黒\_Black(+)
- ②: 赤\_Red(+)
- ③: 白\_White(-)
- ④: 緑/黄\_Green/Yellow(-)



入力電圧\_Input Voltage : DC 48V  
 ピーク電流\_Peak Current : 14.4A

※常時点灯しないでください。この照明には点灯条件に制限があります。  
 点灯条件 : パルス幅500μs以下、Duty1%以下  
 Do not light up the illuminator continuously.  
 This illuminator has some restrictions for light-up condition.  
 Please keep strictly the duty cycle under 1% and pulse width under 500μs.

UNIT:mm

000			
REVISION	DATE	DESCRIPTION	REVISED

ISSUE DATE	SCALE	APPROVED	NAME
2018/03/14	1:1	Y.SHIKANO	LDR-PF-75-LAシリーズ
	SHEET SIZE	CHECKED	DRAWING NAME
	A4	T.OSAWA	外観図_Outline
	PROJECTION	DESIGNED	DRAWING No.
		T.KOYAMA	UA27864-G
		DRAWN	REVISION
		T.KOYAMA	000
			01/01