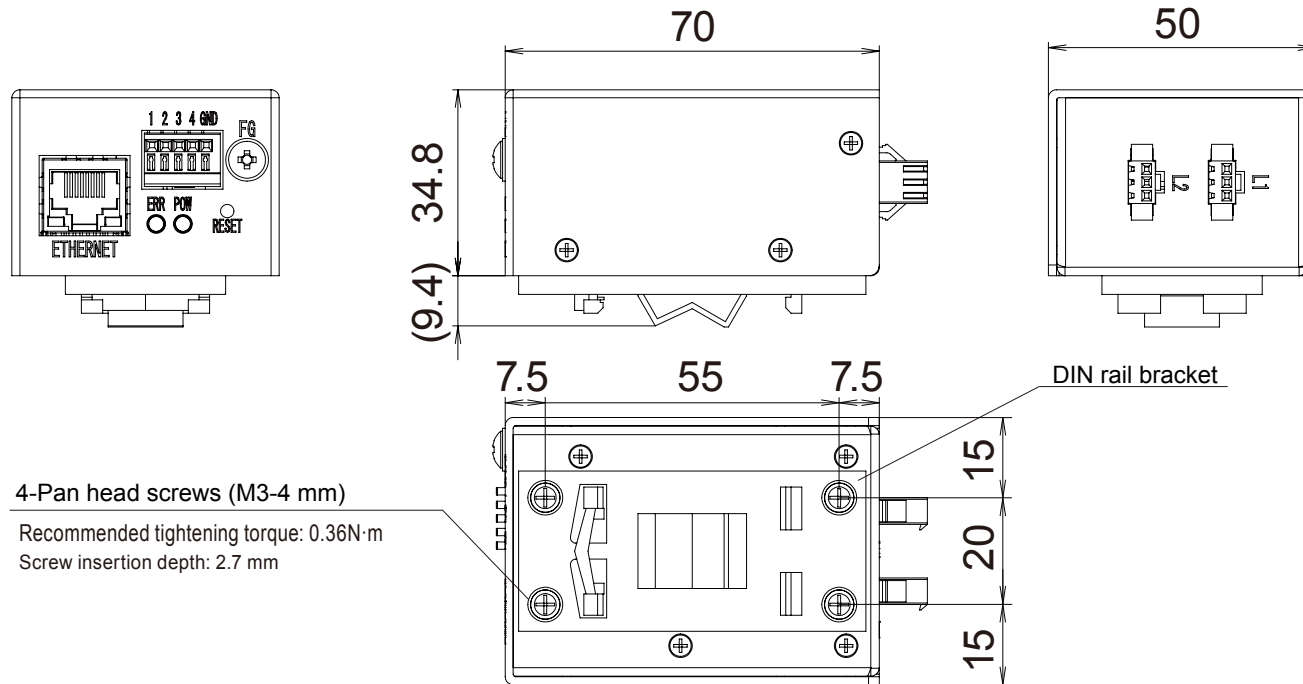


CN-1024-2-EPOE

Model name	CN-1024-2-EPOE
Input voltage	48 VDC(rating), 44 to 57 VDC(range)
Power consumption(typ.)	13.9 W
Weight	140 g max.

Unit: mm



4-Pan head screws (M3-4 mm)
 Recommended tightening torque: 0.36N·m
 Screw insertion depth: 2.7 mm

DIN rail bracket