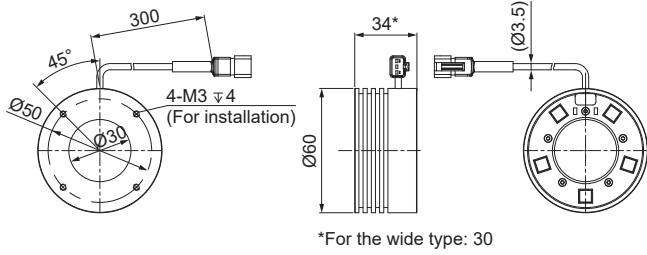


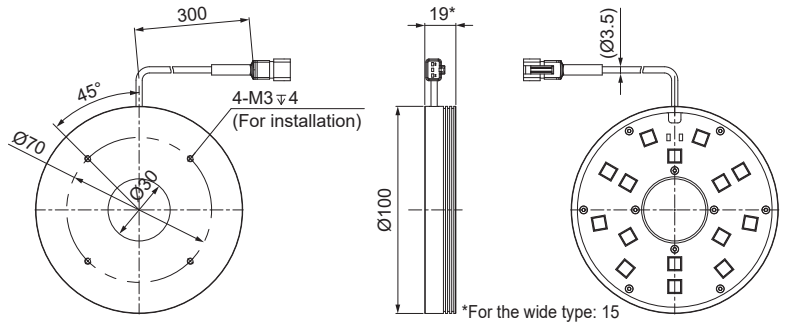
➤ Dimensions (mm)

Ring Lights

LDR2-60UV2-365-N/-W (Common for the narrow/wide types)

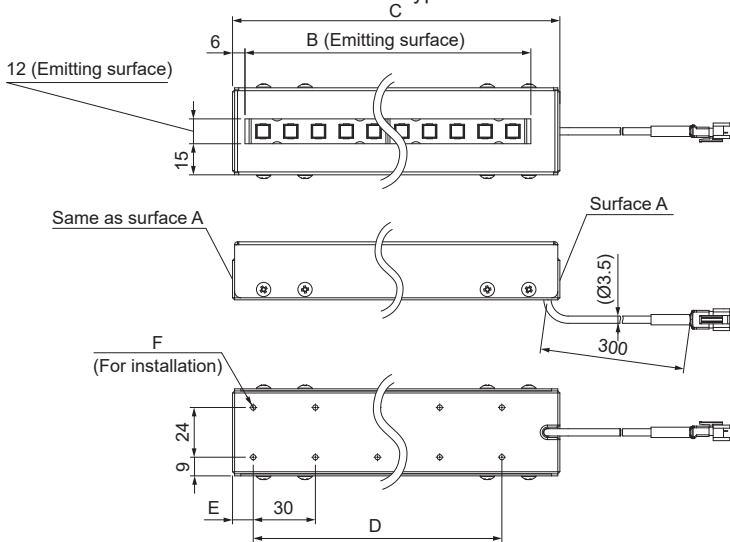


LDR2-100UV2-365-N/-W (Common for the narrow/wide types)

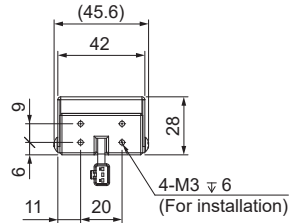


Bar Lights

Common dimensions for the narrow/wide types

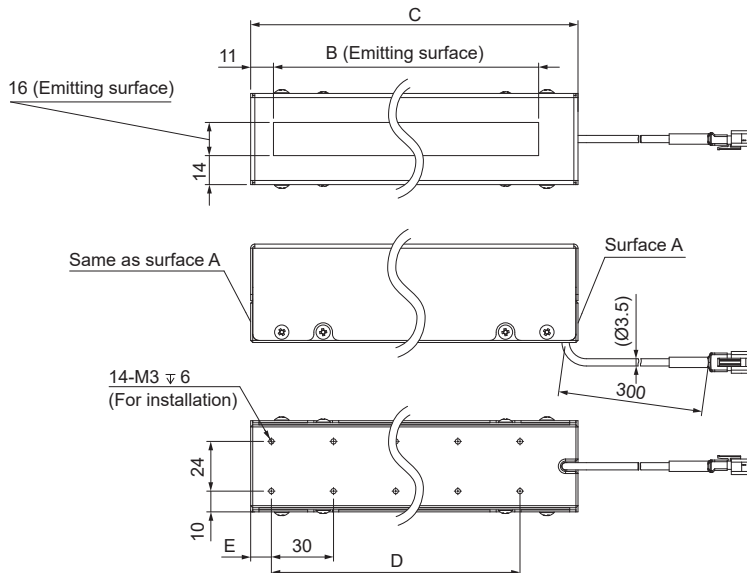


Surface A

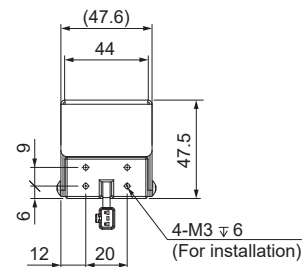


Model name (narrow/wide)	B	C	D	E	F
LDL-71X12UV2-365-N/-365	71	91	P30x2=60	10	6xM3x6
LDL-138X12UV2-365-N/-365	138	158	P30x4=120	10	10xM3x6
LDL-205X12UV2-365-N/-365	205	225	P30x6=180	20	14xM3x6
LDL-339X12UV2-365-N/-365	339	359	P30x10=300	29.5	22xM3x6

Convergent type Common dimensions



Surface A



Model name	B	C	D	E
LN-61UV2-365	61	91	P30x2=60	10
LN-128UV2-365	128	158	P30x4=120	10
LN-195UV2-365	195	225	P30x6=180	20

Spot Lights

HLV2-24UV2-365

