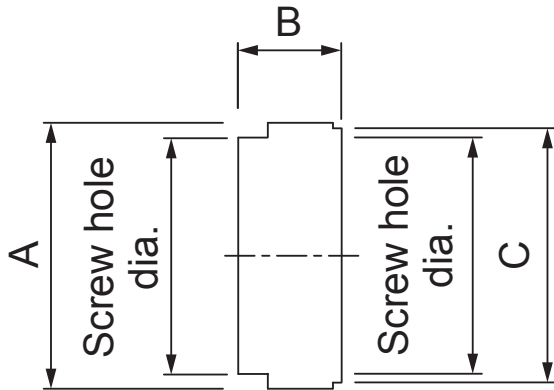
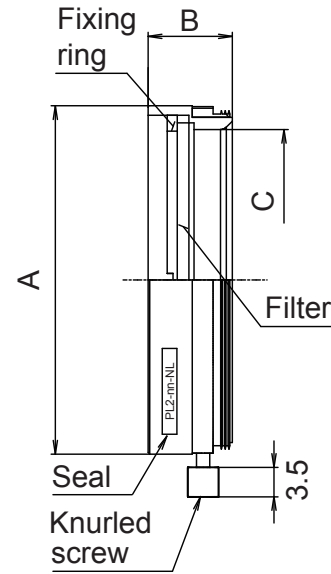


➤ Dimensions (mm)

- PL series dimensions (mm)



- PL2 series dimensions (mm)



PL Series / PL2 Series

Model name	Notes		Dimensions		
	Screw hole diam.	Screw pitch	A	B	C
PL-25	M25.5	P0.5	Ø27.4	9.3	Ø27.0
PL-25-NL	M25.5		Ø30.5	12	
PL-27	M27.0		Ø29.4	9.3	Ø28.5
PL-27-NL	M27.0		Ø32	12	
PL-30	M30.5		Ø32.4	9.3	Ø32.0
PL-30-NL	M30.5		Ø32.0	12	Ø35.5
PL-40	M40.5		Ø42.4	9.3	Ø42.0
PL-40-NL	M40.5		Ø42.0	12	Ø45.0
PL-46	M46.0	P0.75	Ø48.5	9.5	Ø48.0
PL2-35.5-NL	M35.5	P0.5	Ø37	9.6	Ø31
PL2-37.5-NL	M37.5		Ø39	9.5	Ø33
PL2-43-NL	M43	P0.75	Ø45	10	Ø38.9
PL2-46-NL	M46		Ø48	10	Ø41.7

"-NL" models have a locking mechanism.

Model name	Notes		Dimensions		
	Screw hole diam.	Screw pitch	A	B	C
PL2-48-NL	M48	P0.75	Ø50	10	Ø43.7
PL2-49-NL	M49		Ø51	10	Ø44.8
PL2-52-NL	M52		Ø54	10	Ø47.8
PL2-55-NL	M55		Ø57	10	Ø50.7
PL2-58-NL	M58		Ø60	10	Ø53.7
PL2-62-NL	M62		Ø65	11	Ø57.8
PL2-67-NL	M67		Ø70	11	Ø62.8
PL2-72-NL	M72		Ø75	11	Ø67.8
PL2-77-NL	M77		Ø80	11	Ø72.4
PL2-82-NL	M82		Ø85	11	Ø76.8
PL2-86-NL	M86	P1.0	Ø90	12.5	Ø80
PL2-95-NL	M95		Ø100	14	Ø89.5
PL2-105-NL	M105		Ø109.7	14	Ø99.05