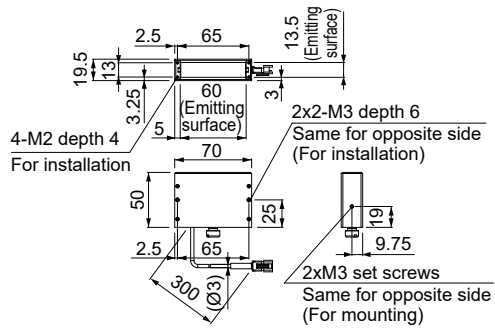
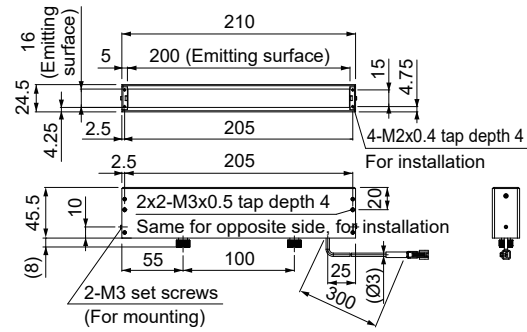


➤ Dimensions (mm)

LN-60RD2/SW2/BL2/GR2



LN-200RD2/SW2/BL2/GR2



You can change the connectors of the Light Unit cable. Choose between M12 connectors and flying leads. Refer to P.7 for details.