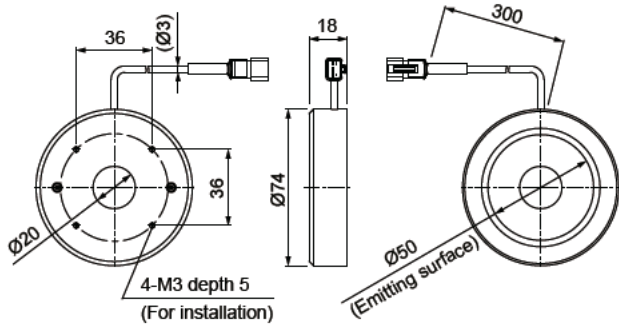
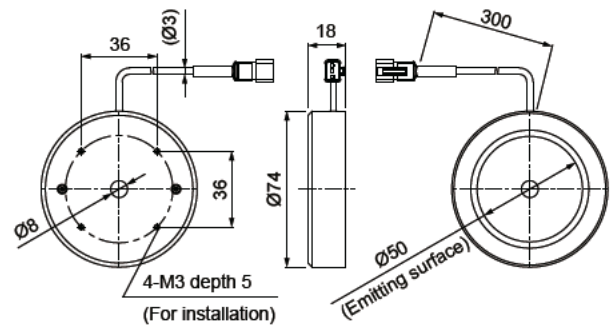


## Dimensions (mm)

LKR-70RD2/SW2/BL2/GR2



LKR-70-8RD2/SW2/BL2/GR2



The emitting surface for the LKR-70-8SW2/BL2/GR2 is  $\varnothing 49.2$ .

LKR-125RD2/SW2/BL2/GR2

