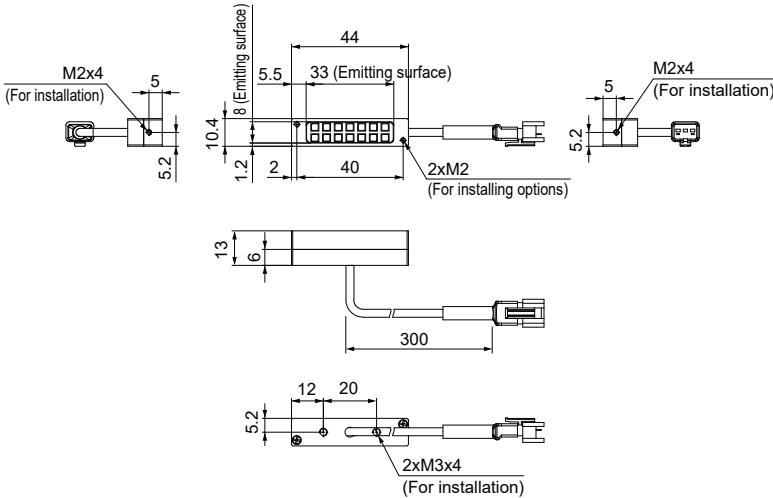


Dimensions (mm)

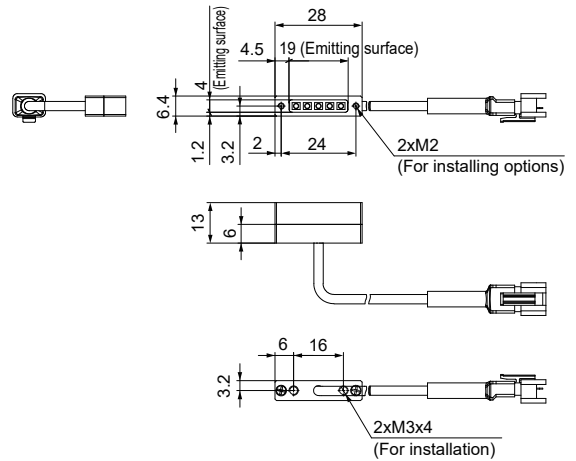
LDL2-33X8 Standard products (Conventional products / High-power type)

Common for all colors



LDL2-19X4 Standard products (High-power type)

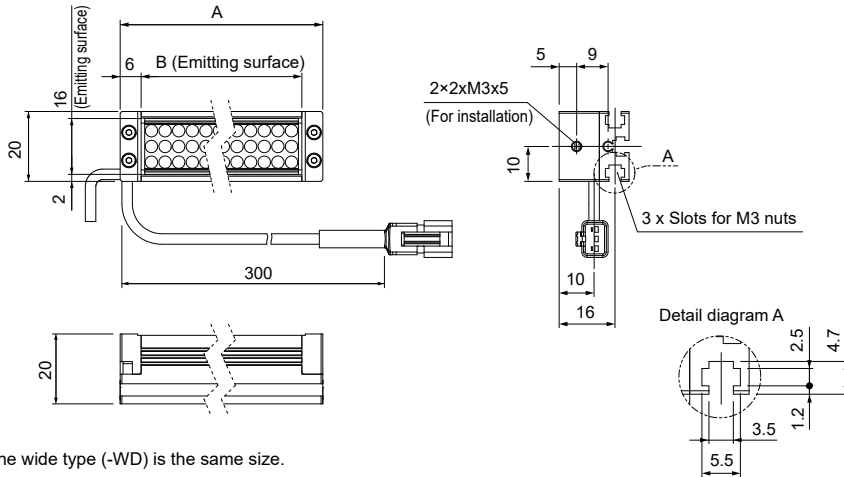
Common for all colors



LDL2-nnnX16 Standard products (Conventional products / High-power type) Special orders (Conventional products / High-power type)

nnn=B (Emitting surface)

Common for all colors



The wide type (-WD) is the same size.

Standard products
(Conventional products / High-power type)

Applicable Light Unit	A	B
LDL2-41X16 (-WD)	53	41
LDL2-80X16 (-WD)	92	80
LDL2-119X16 (-WD)	131	119
LDL2-158X16 (-WD)	170	158

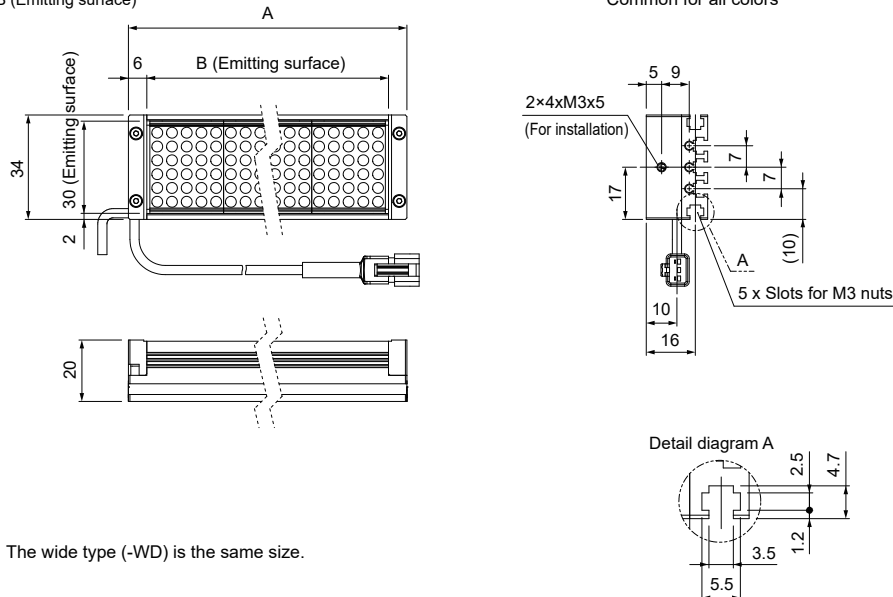
Special orders
(Conventional products / High-power type)

Applicable Light Unit	A	B
LDL2-197X16 (-WD)	209	197
LDL2-236X16 (-WD)	248	236
LDL2-275X16 (-WD)	287	275
LDL2-314X16 (-WD)	326	314
LDL2-353X16 (-WD)	365	353
LDL2-392X16 (-WD)	404	392
LDL2-431X16 (-WD)	443	431
LDL2-470X16 (-WD)	482	470
LDL2-509X16 (-WD)	521	509

LDL2-nnnX30 Standard products (Conventional products / High-power type) Special orders (Conventional products / High-power type)

nnn=B (Emitting surface)

Common for all colors



The wide type (-WD) is the same size.

Standard products
(Conventional products / High-power type)

Applicable Light Unit	A	B
LDL2-26X30 (-WD)	38	26
LDL2-50X30 (-WD)	62	50
LDL2-74X30 (-WD)	86	74
LDL2-98X30 (-WD)	110	98
LDL2-122X30 (-WD)	134	122
LDL2-146X30 (-WD)	158	146
LDL2-218X30 (-WD)	230	218
LDL2-266X30 (-WD)	278	266

Special orders
(Conventional products / High-power type)

Applicable Light Unit	A	B
LDL2-170X30 (-WD)	182	170
LDL2-194X30 (-WD)	206	194
LDL2-242X30 (-WD)	254	242
LDL2-290X30 (-WD)	302	290
LDL2-314X30 (-WD)	326	314
LDL2-338X30 (-WD)	350	338
LDL2-362X30 (-WD)	374	362
LDL2-386X30 (-WD)*1	398	386
LDL2-410X30 (-WD)*1	422	410
LDL2-434X30 (-WD)*1	446	434
LDL2-458X30 (-WD)*1	470	458
LDL2-482X30 (-WD)*1	494	482
LDL2-506X30 (-WD)*1	518	506

*1 For the conventional products: SM connector (SMR-03V-B, 1: +Brown, 2: NC, 3: -Blue)
For the high-power type: EL connector (ELP-02V, 1: +Brown, 2: -Blue).
Use the Control Unit which has EL connectors.