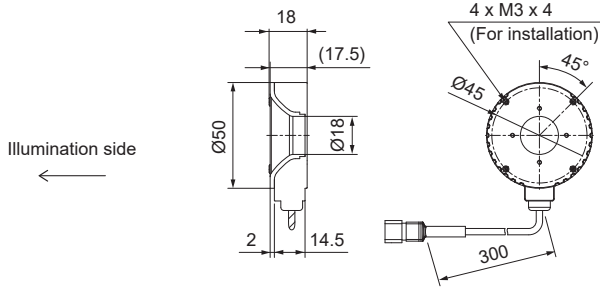
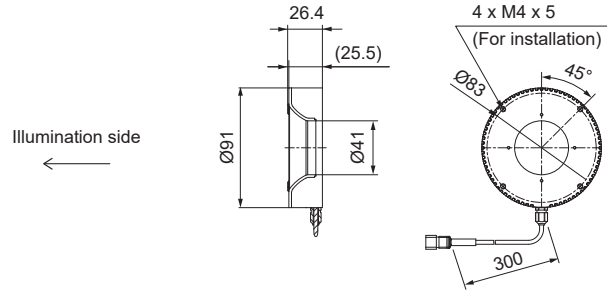


Dimensions (mm)

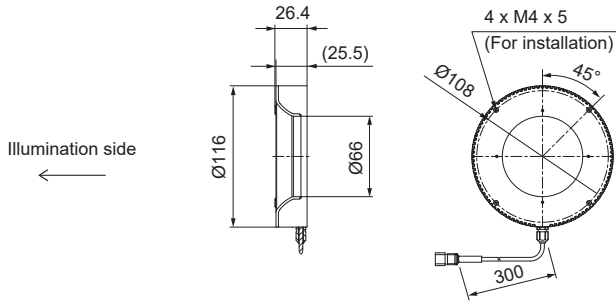
HPR2-50RD/SW/BL/FC



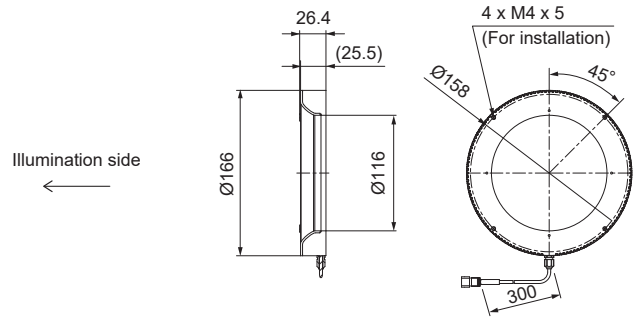
HPR2-75RD/SW/BL/FC



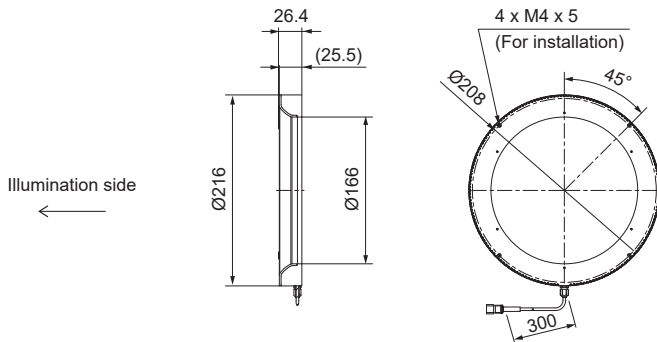
HPR2-100RD/SW/BL/FC



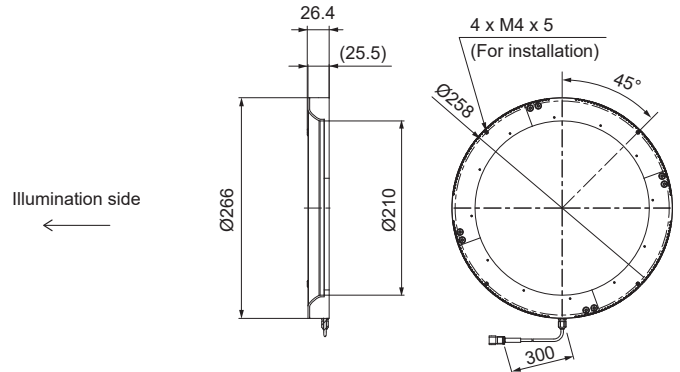
HPR2-150RD/SW/BL/FC



HPR2-200RD/SW/BL/FC

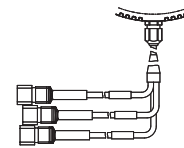
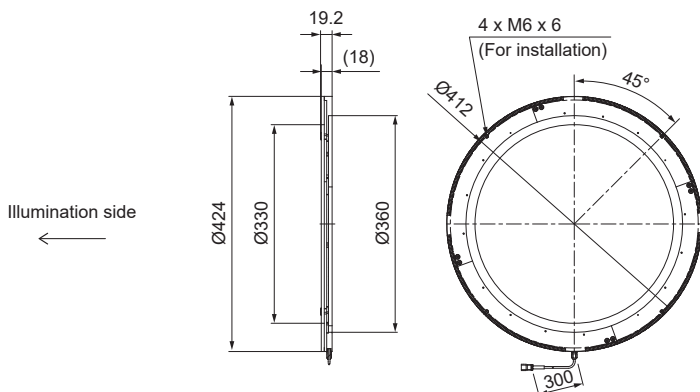


HPR2-250RD/SW/BL/FC



The HPR2-250 model has a curved diffusion plate. Be aware this differs from the conventional product.

HPR2-400RD-FT / SW-FT / BL-FT / FC-FT



The full color type (HPR2-□□FC, HPR2-400FC-FT) has three connectors. Use a 3-channel Control Unit if controlling intensity separately for each color.

The HPR2-400-FT has a flat diffusion plate.