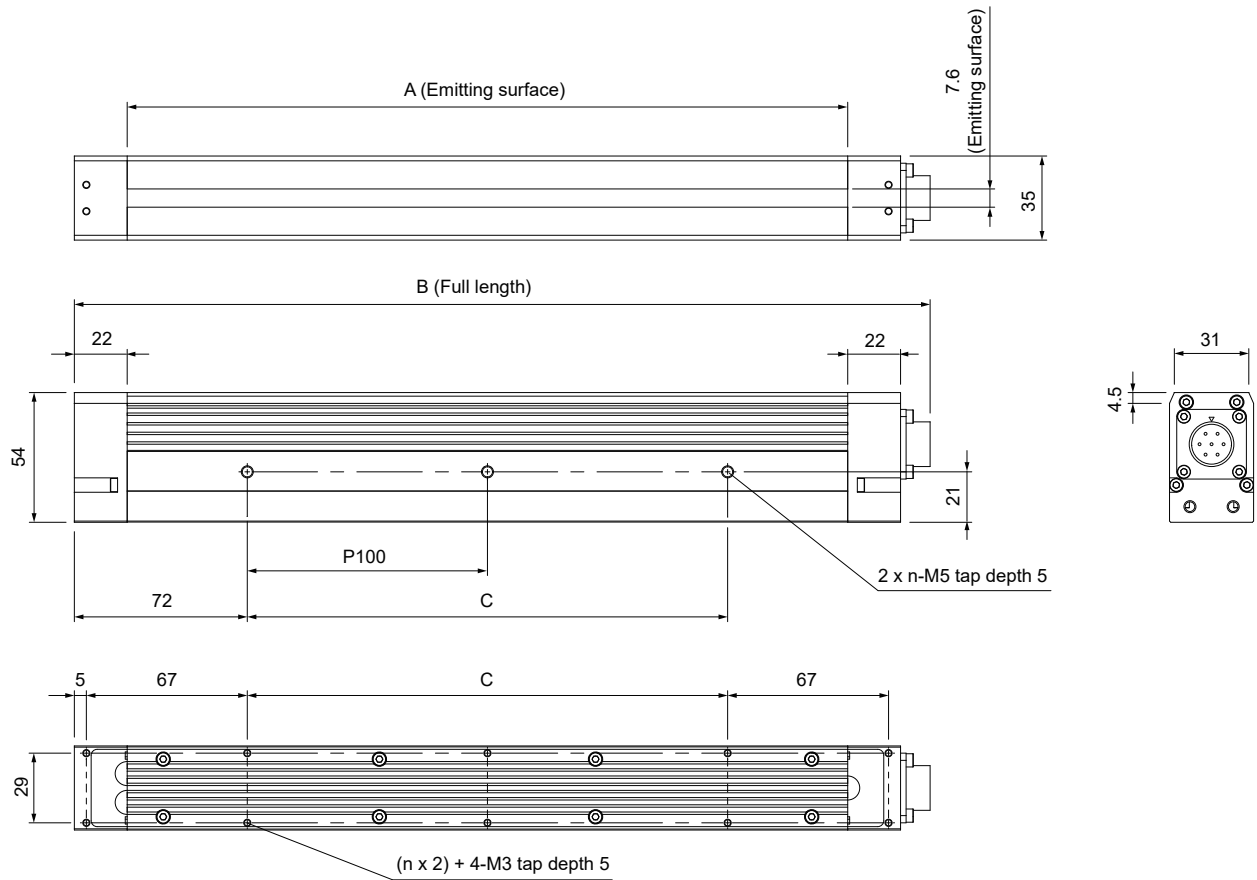


Dimensions (mm)



Model name (Common for all colors)		A (Emitting surface)	B (Full length)	C	n	Model name (Common for all colors)		A (Emitting surface)	B (Full length)	C	n
Common for the transmission / reflection type	HLND-100SW/RD	100	156.3	-	1	Common for the transmission / reflection type	HLND-1500SW/RD	1,500	1,556.3	1,400	15
	HLND-200SW/RD	200	256.3	100	2		HLND-1600SW/RD	1,600	1,656.3	1,500	16
	HLND-300SW/RD	300	356.3	200	3		HLND-1700SW/RD	1,700	1,756.3	1,600	17
	HLND-400SW/RD	400	456.3	300	4		HLND-1800SW/RD	1,800	1,856.3	1,700	18
	HLND-500SW/RD	500	556.3	400	5		HLND-1900SW/RD	1,900	1,956.3	1,800	19
	HLND-600SW/RD	600	656.3	500	6		HLND-2000SW/RD	2,000	2,056.3	1,900	20
	HLND-700SW/RD	700	756.3	600	7		HLND-2100SW/RD	2,100	2,156.3	2,000	21
	HLND-800SW/RD	800	856.3	700	8		HLND-2200SW/RD	2,200	2,256.3	2,100	22
	HLND-900SW/RD	900	956.3	800	9		HLND-2300SW/RD	2,300	2,356.3	2,200	23
	HLND-1000SW/RD	1,000	1,056.3	900	10		HLND-2400SW/RD	2,400	2,456.3	2,300	24
	HLND-1100SW/RD	1,100	1,156.3	1,000	11		HLND-2500SW/RD	2,500	2,556.3	2,400	25
	HLND-1200SW/RD	1,200	1,256.3	1,100	12		HLND-2600SW/RD	2,600	2,656.3	2,500	26
	HLND-1300SW/RD	1,300	1,356.3	1,200	13		HLND-2700SW/RD	2,700	2,756.3	2,600	27
	HLND-1400SW/RD	1,400	1,456.3	1,300	14						