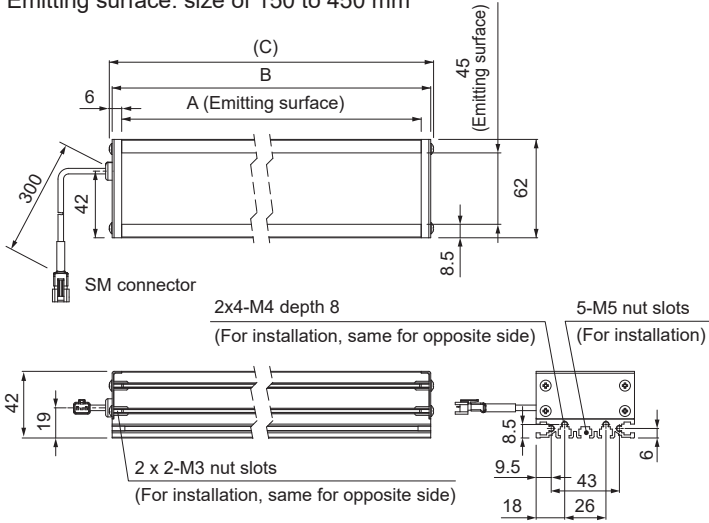


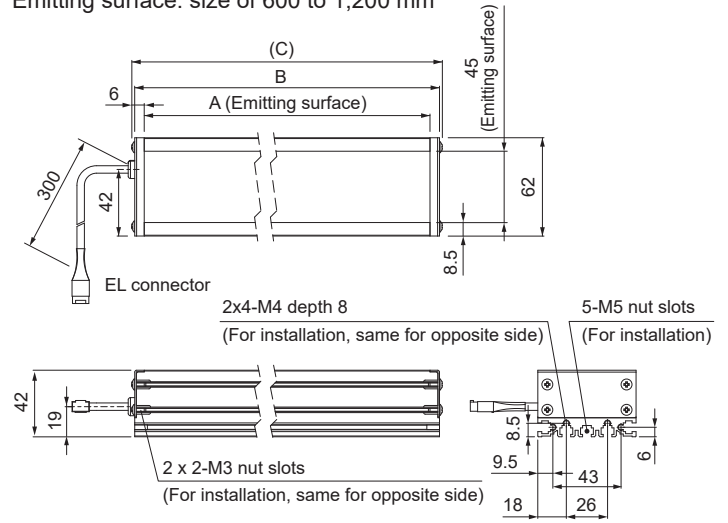
Dimensions (mm)

Narrow Type

Emitting surface: size of 150 to 450 mm

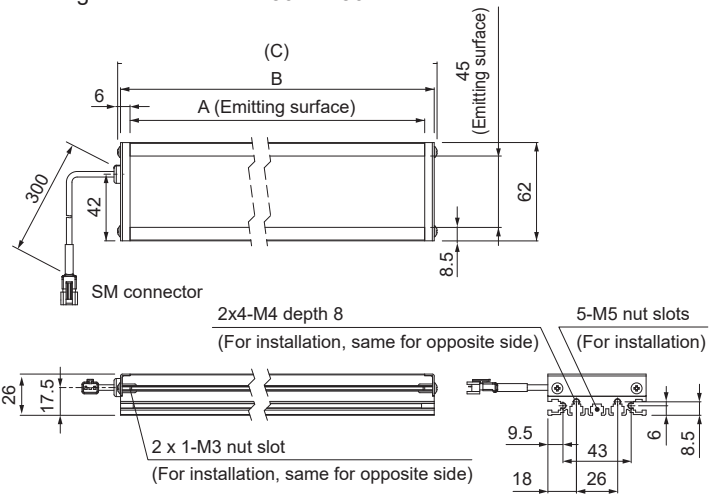


Emitting surface: size of 600 to 1,200 mm

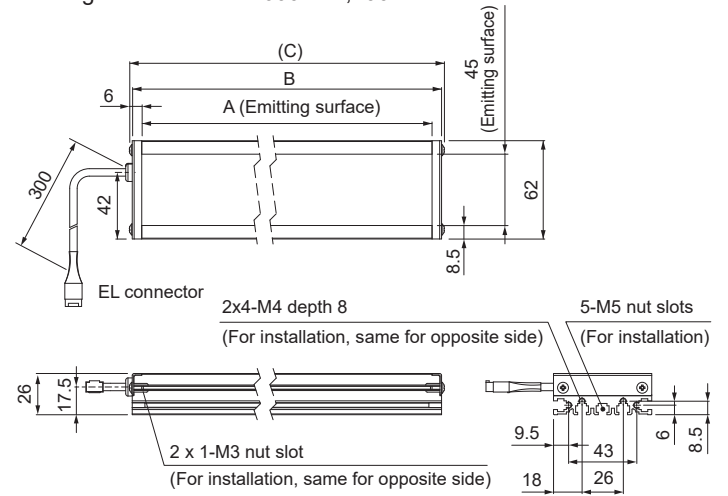


Wide Type

Emitting surface: size of 150 to 450 mm



Emitting surface: size of 600 to 1,200 mm



Model name (Narrow Type)	A	B	C	Model name (Wide Type)	A	B	C
HLDL2-150X45RD-DF-N / SW-DF-N / IR-DF-N	150	162	165.6	HLDL2-150X45RD-DF-W / SW-DF-W / IR-DF-W	150	162	165.6
HLDL2-300X45RD-DF-N / SW-DF-N / IR-DF-N	300	312	315.6	HLDL2-300X45RD-DF-W / SW-DF-W / IR-DF-W	300	312	315.6
HLDL2-450X45RD-DF-N / SW-DF-N / IR-DF-N	450	462	465.6	HLDL2-450X45RD-DF-W / SW-DF-W / IR-DF-W	450	462	465.6
HLDL2-600X45RD-DF-N / SW-DF-N / IR-DF-N	600	612	615.6	HLDL2-600X45RD-DF-W / SW-DF-W / IR-DF-W	600	612	615.6
HLDL2-750X45RD-DF-N / SW-DF-N / IR-DF-N	750	762	765.6	HLDL2-750X45RD-DF-W / SW-DF-W / IR-DF-W	750	762	765.6
HLDL2-900X45RD-DF-N / SW-DF-N / IR-DF-N	900	912	915.6	HLDL2-900X45RD-DF-W / SW-DF-W / IR-DF-W	900	912	915.6
HLDL2-1050X45RD-DF-N / SW-DF-N / IR-DF-N	1,050	1,062	1,065.6	HLDL2-1050X45RD-DF-W / SW-DF-W / IR-DF-W	1,050	1,062	1,065.6
HLDL2-1200X45RD-DF-N / SW-DF-N / IR-DF-N	1,200	1,212	1,215.6	HLDL2-1200X45RD-DF-W / SW-DF-W / IR-DF-W	1,200	1,212	1,215.6