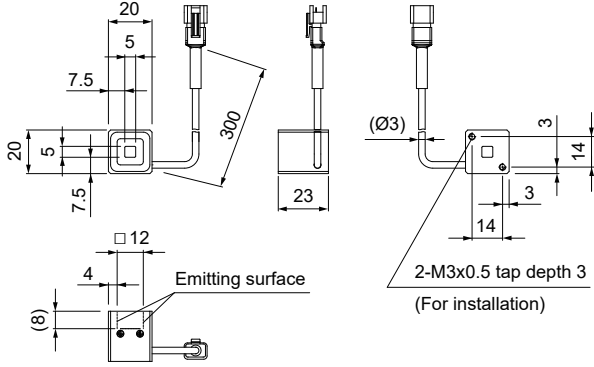
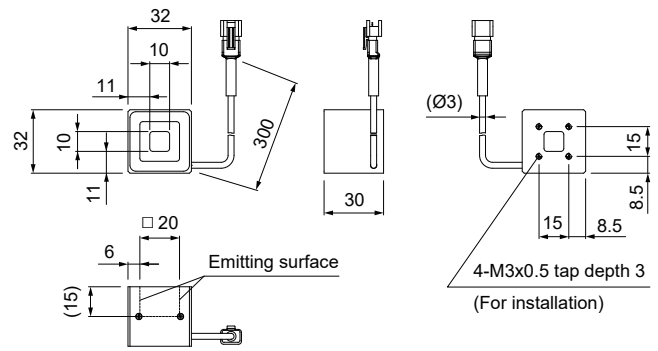


Dimensions (mm)

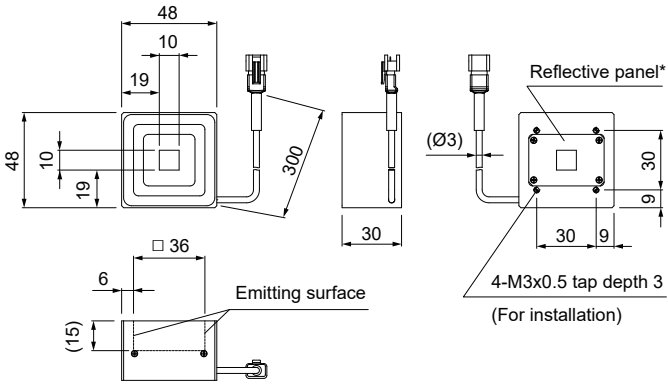
FPQ2-20RD/SW/BL



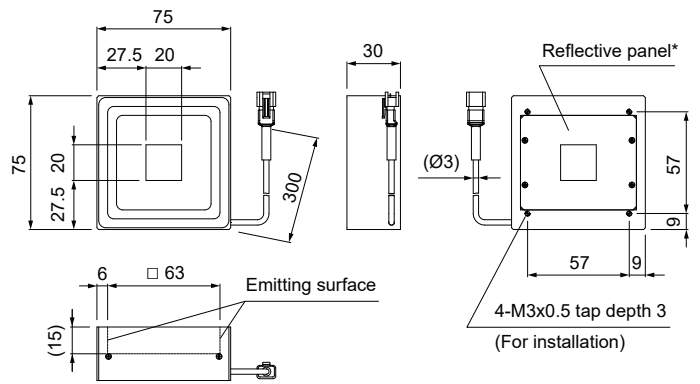
FPQ2-32RD/SW/BL



FPQ2-48RD/SW/BL



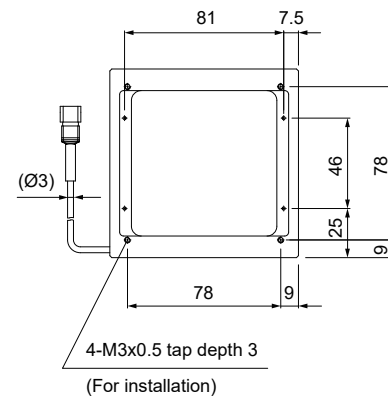
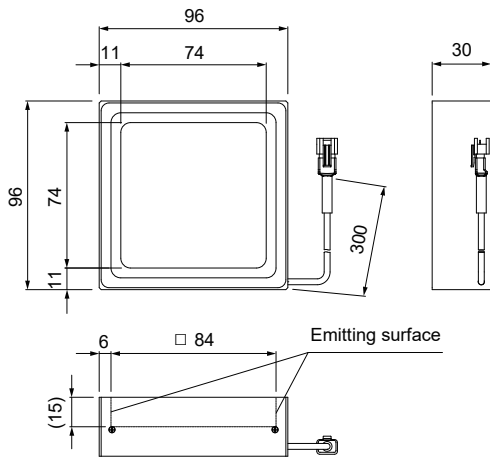
FPQ2-75RD/SW/BL



* The reflective panel can be removed.

* The reflective panel can be removed.

FPQ2-96RD/SW/BL



FPQ2-120RD/SW/BL

