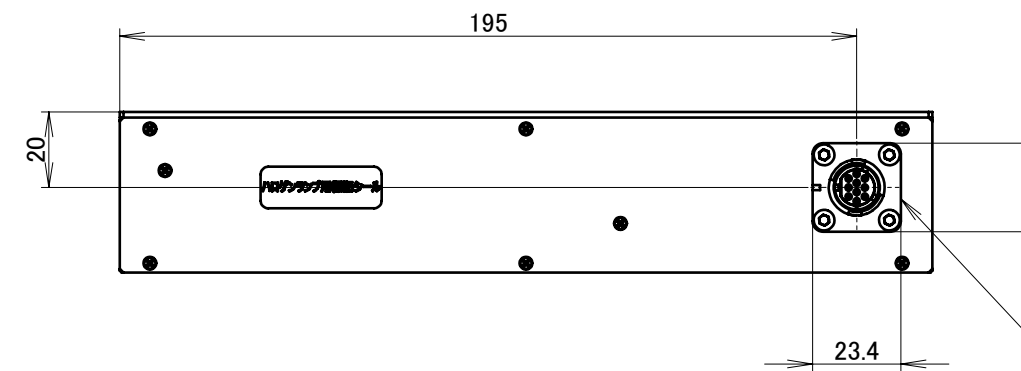
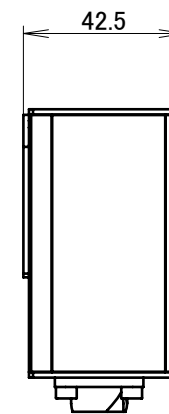


オプションケーブル伸長方向
Optional cable tensile direction
(プラグ Plug : HR34B-12WLPE-10S)

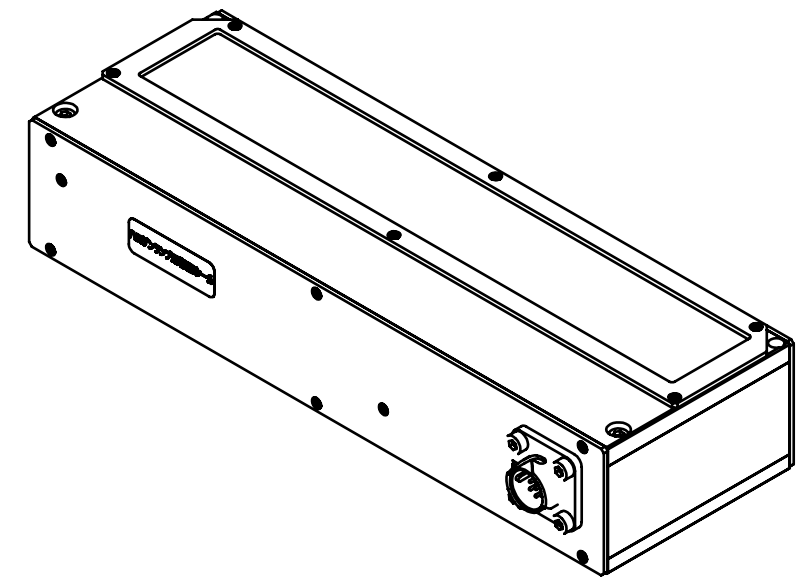
30
(発光面 Emitting Surface)



①
コネクタ_Connector
(HR34B-12WRA-10P)
①②③ :+
④⑤⑥ :-
⑦⑧⑨⑩ :NC



4x M4x5
(取付用 For installation)



3Dイメージ_3D image

入力電圧_Input Voltage : DC 5.2V max.
消費電力_Power Consumption : 46W max.

UNIT:mm

REVISION	DATE	DESCRIPTION	REVISED
001	2017/10/19	コネクタ取付方向変更_Connector installation direction change	T.MATSUSHITA

ISSUE DATE	SCALE	APPROVED	NAME
2017/10/02	1:2	Y.SHIKANO	TH-200X30CIR
	SHEET SIZE	CHECKED	DRAWING NAME
	A3	Y.SHIKANO	外觀図_outline
	PROJECTION	DESIGNED	DRAWING No.
		T.MATSUSHITA	UA27274-G
		DRAWN	REVISION
		T.MATSUSHITA	001
			01

