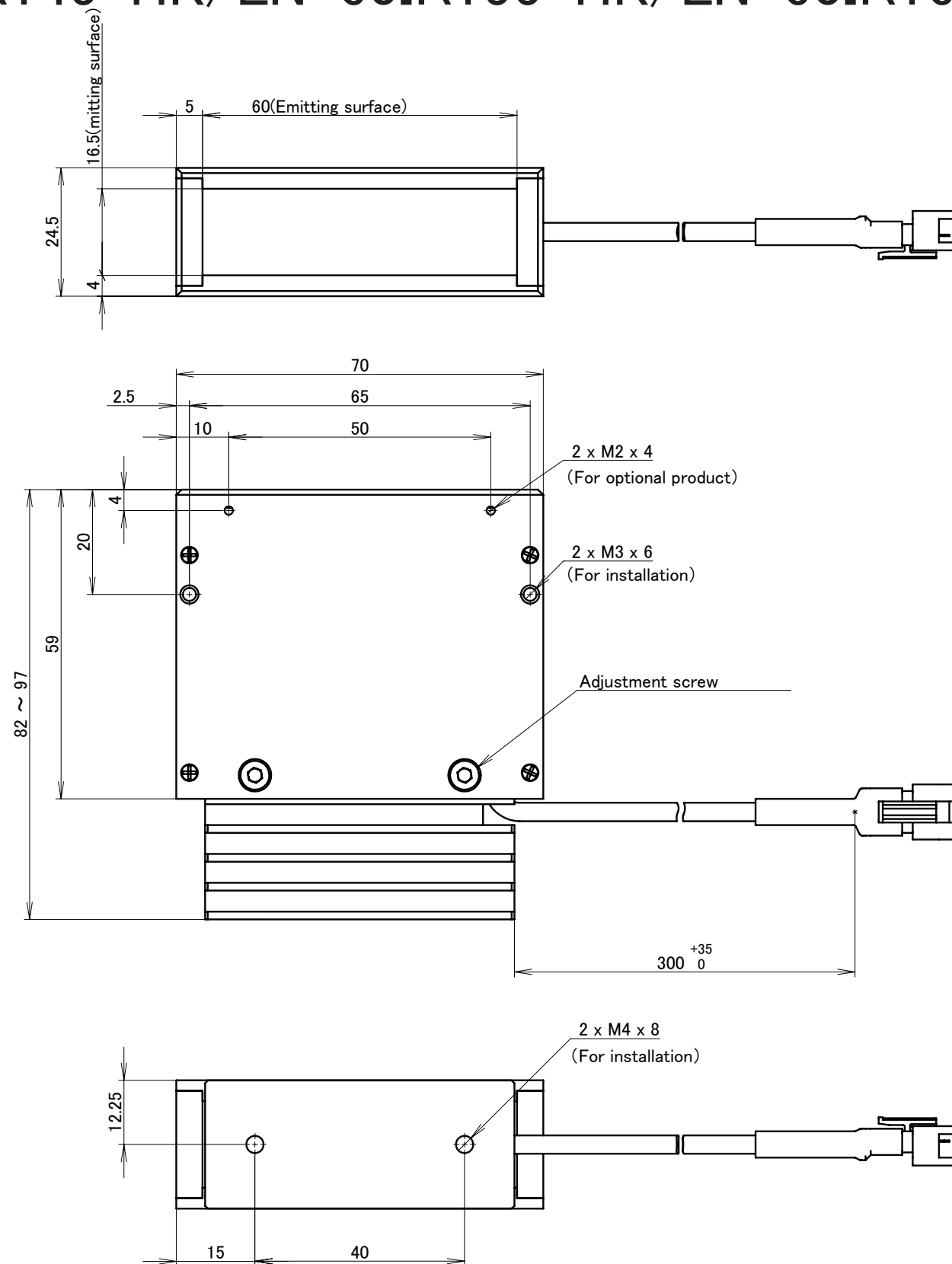


# LN-60IR105-HK/LN-60IR120-HK/LN-60IR130-HK LN-60IR145-HK/LN-60IR155-HK/LN-60IR165-HK

Unit: mm



Model	Power consumption
LN-60IR105-HK	11W max.
LN-60IR120-HK	7.1W max.
LN-60IR130-HK	7.1W max.
LN-60IR145-HK	6.6W max.
LN-60IR155-HK	6.6W max.
LN-60IR165-HK	6.6W max.

Input Voltage: DC 24V  
Power Consumption: Table reference  
Mass: 0.222kg(Approx.)

