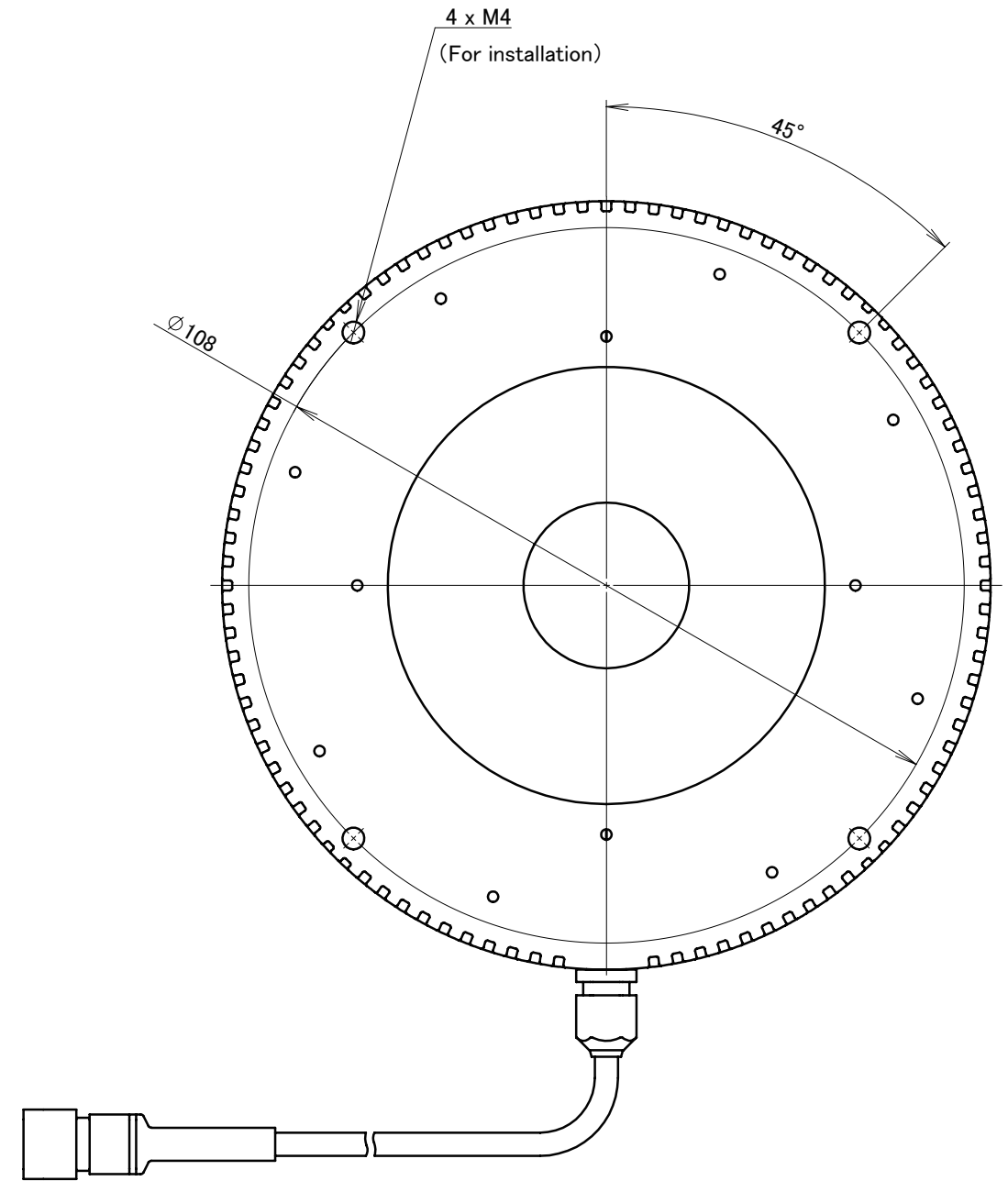
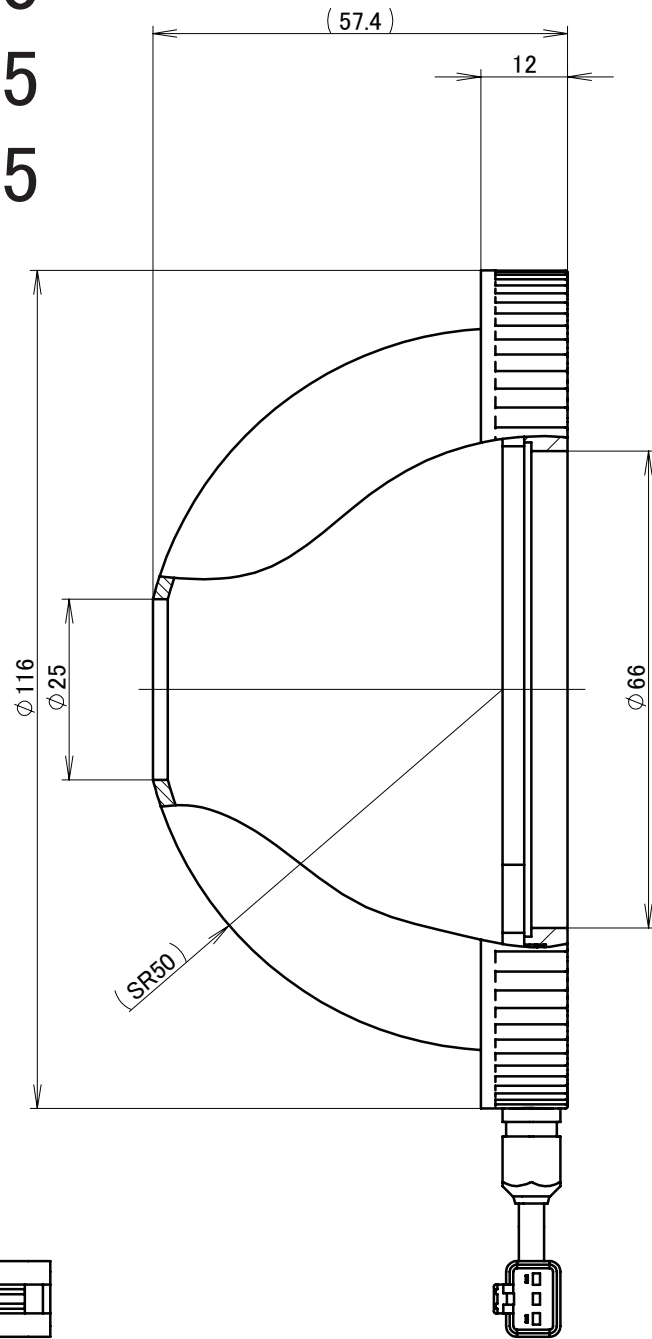
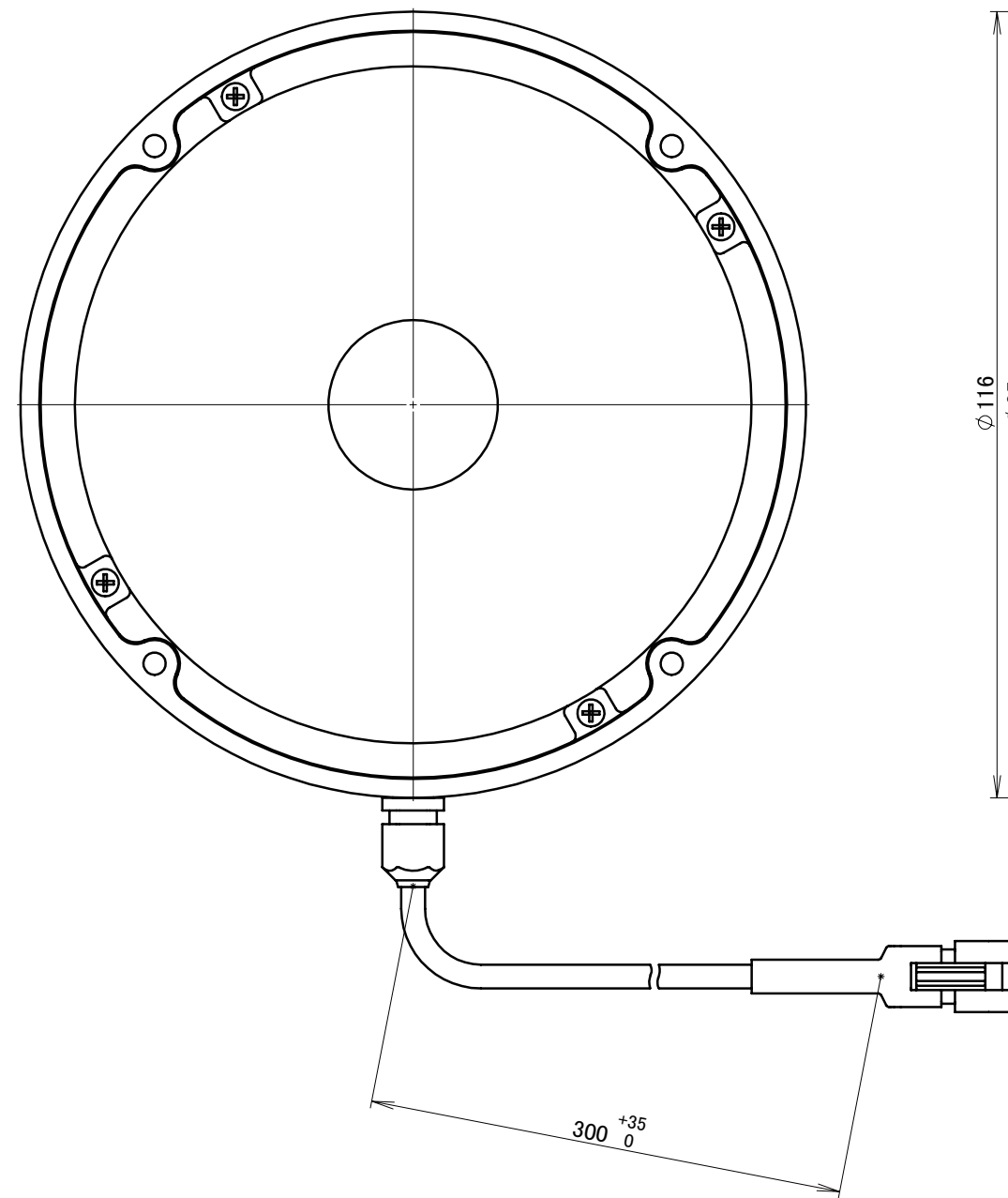


HPD2-100IR105/HPD2-100IR120
 HPD2-100IR130/HPD2-100IR145
 HPD2-100IR155/HPD2-100IR165

Unit: mm



Model	Power consumption
HPD2-100IR105	13W
HPD2-100IR120	11W
HPD2-100IR130	10W
HPD2-100IR145	8.6W
HPD2-100IR155	8.6W
HPD2-100IR165	8.6W

Input Voltage: DC 24V
 Power Consumption: Table reference
 Mass: 0.16kg(Approx.)