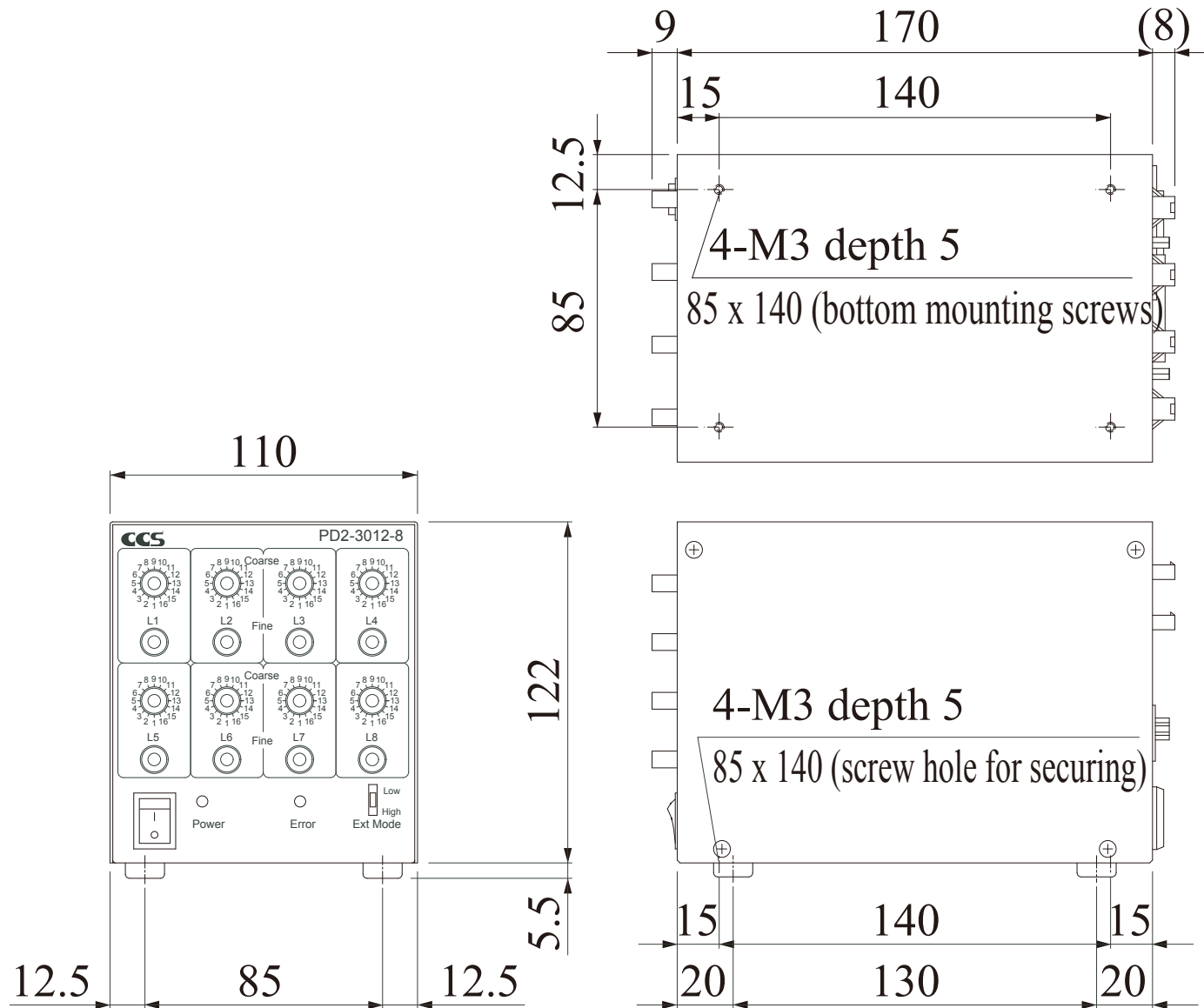


# PD2-3012-8(A)

Model name	PD2-3012-8(A)
Input voltage(rating)	100 to 240 VAC
Power consumption	78 VA
Output connector	3 P (1: + , 2: NC , 3: -) x 2
Weight	1500 g

Units: mm



External control connector  
D-Sub25 pin

