

面Bと取付穴寸法は同じ
Installation hole dimensions same as surface B

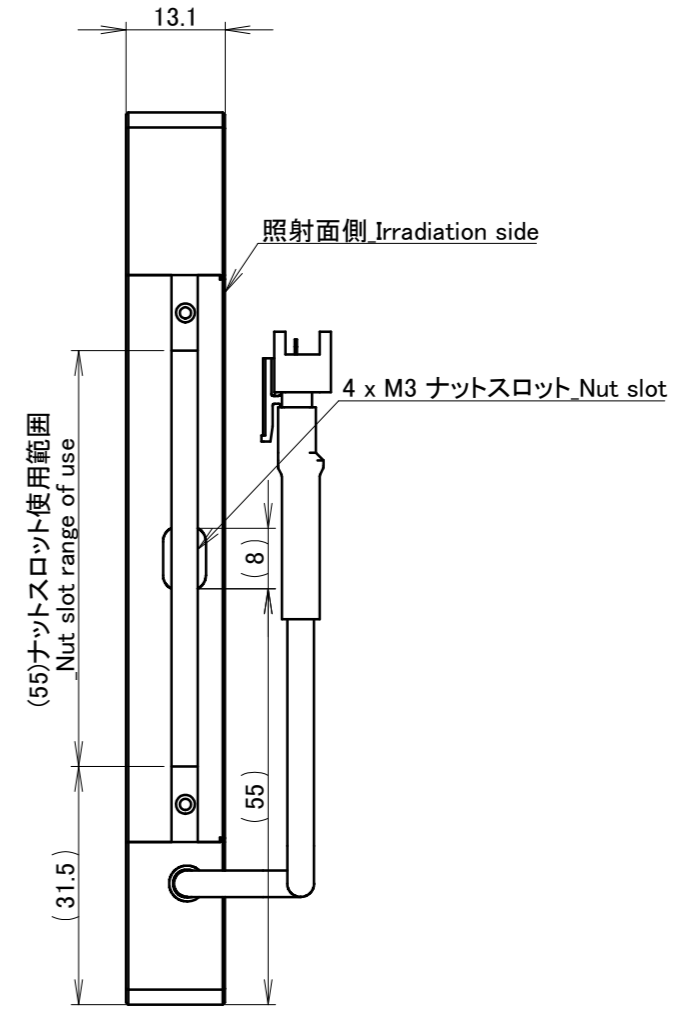
面Bと取付穴寸法は同じ
Installation hole dimensions same as surface B

面B surface B

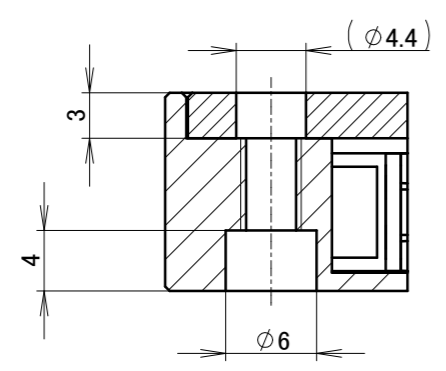
SMコネクタ_Connector 3P
①:茶_Brown(+)
②:NC
③:青_Blue(-)

4 x M4
(取付用_For installation)

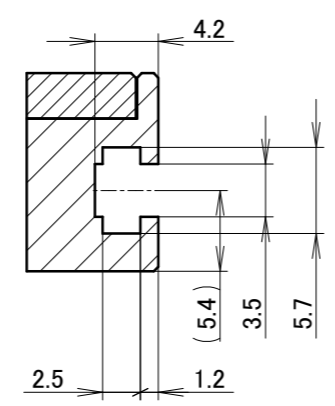
面Bと取付穴寸法は同じ
Installation hole dimensions same as surface B



型式_Model name	消費電力_Power consumption
LFX3-75RD	13W
LFX3-75SW	18W
LFX3-75BL	9.1W
LFX3-75IR860	14W



A-A
(2:1)



M3ナットスロット詳細図
_Nut slot Detail drawing

入力電圧_Input Voltage : DC 24V
消費電力_Power Consumption : 表参照_Table reference

UNIT:mm

REVISION	DATE	DESCRIPTION	REVISED
000			

ISSUE DATE	SCALE	APPROVED	NAME
2015/09/29	1:1	Y.SHIKANO	LFX3-75 シリーズ_Series
SHEET SIZE	A3	CHECKED	DRAWING NAME
		T.OSAWA	外観図_outline
PROJECTION	DRAWN	DESIGNED	DRAWING No.
		N.KANI	UA19796-G
			REVISION SHEET
			000 / 01