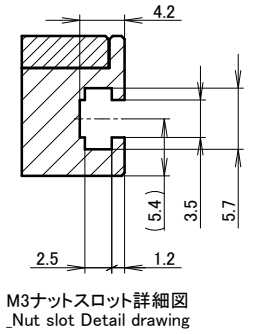
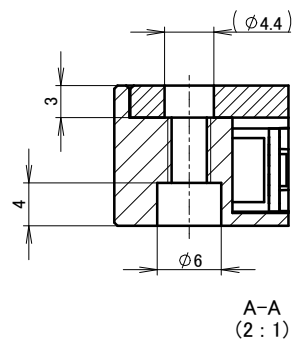


	LFX3-200SW-PT-A	LFX3-200SW-PT-B
導光板パターン幅 Light guide plate pattern width	1mm	2mm

入力電圧_Input Voltage : DC 24V
消費電力_Power Consumption : 46W



UNIT:mm

000			
REVISION	DATE	DESCRIPTION	REVISED

ISSUE DATE	SCALE	APPROVED	NAME
2022/10/03	1:2	T.OSAWA	LFX3-200SW-PT-A(A)/LFX3-200SW-PT-B(A)
SHEET SIZE	A3	CHECKED	DRAWING NAME
		Y.INOUE	外觀図_outline
DESIGNED		H.KITAGAWA	DRAWING No.
PROJECTION		H.KITAGAWA	UA41416-G
DRAWN		H.KITAGAWA	REVISION
			000/01