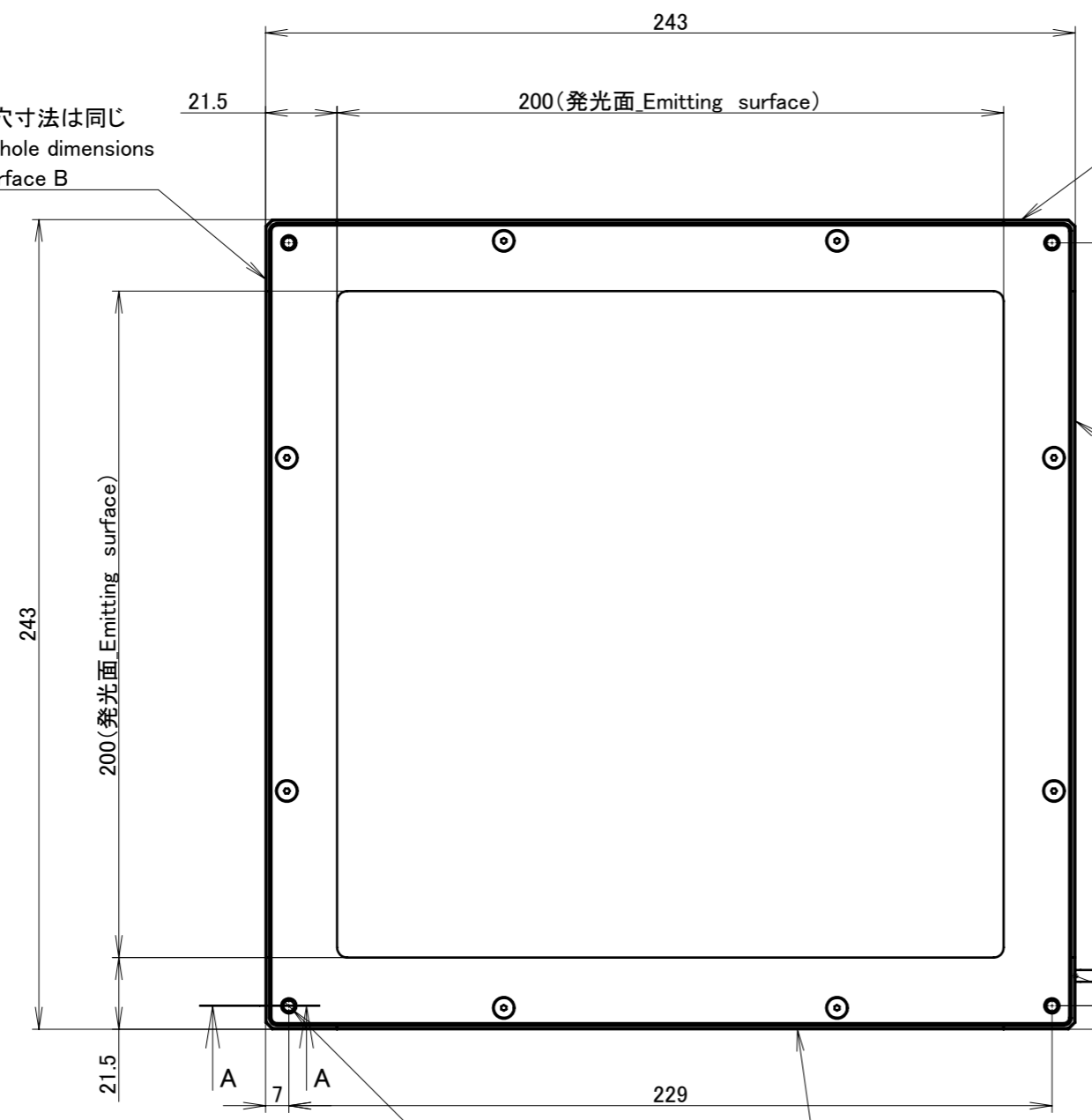
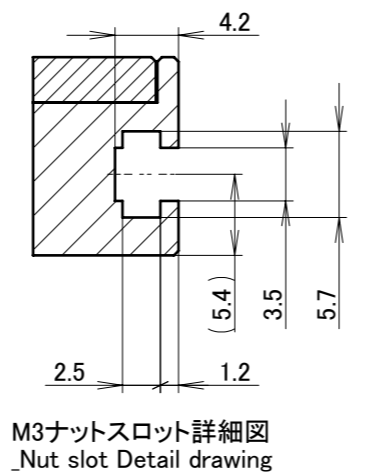
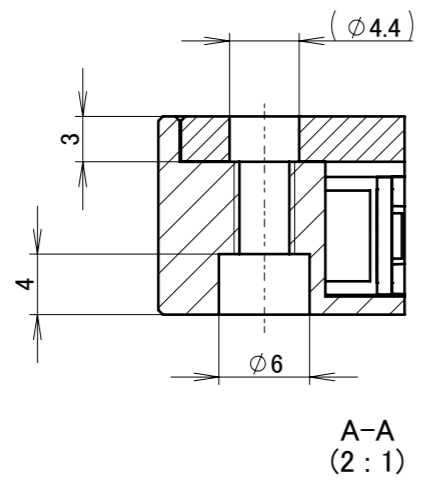
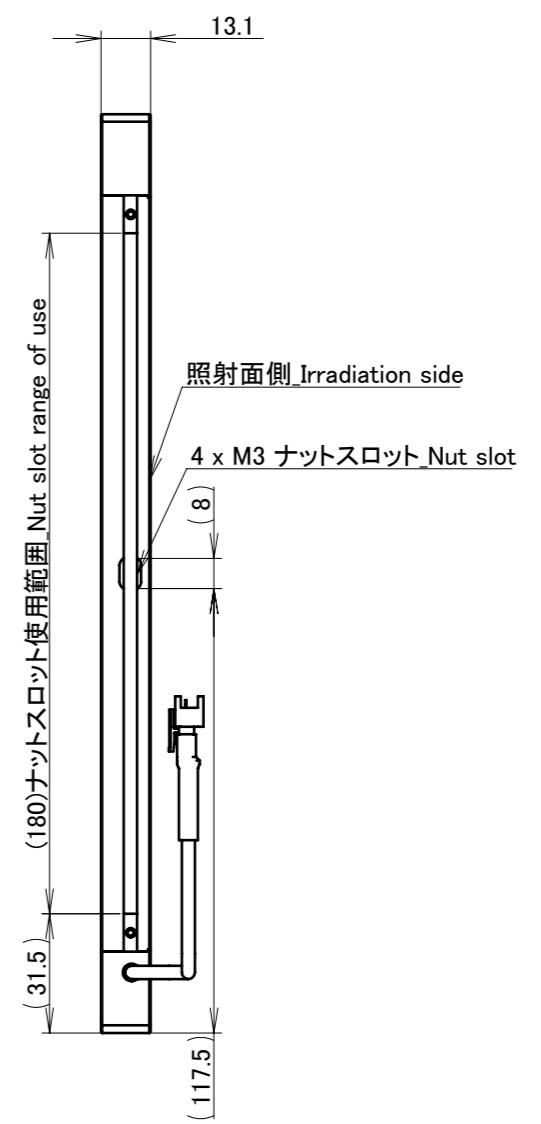


面Bと取付穴寸法は同じ
Installation hole dimensions
same as surface B

面Bと取付穴寸法は同じ
Installation hole dimensions
same as surface B



SMR-03V-B
①: 茶_Brown(+)
②: NC
③: 青_Blue(-)



入力電圧_Input Voltage : DC 24V
消費電力_Power Consumption : 46W

UNIT:mm

REVISION	DATE	DESCRIPTION	REVISED
000			

ISSUE DATE	SCALE	APPROVED	NAME
2022/10/04	1:2	T.OSAWA	LFX3-200SW(A)
	SHEET SIZE	CHECKED	DRAWING NAME
	A3	Y.INOUE	外觀図_outline
	PROJECTION	DESIGNED	DRAWING No.
		H.KITAGAWA	UA41410-G
		DRAWN	REVISION
		H.KITAGAWA	000
			01

