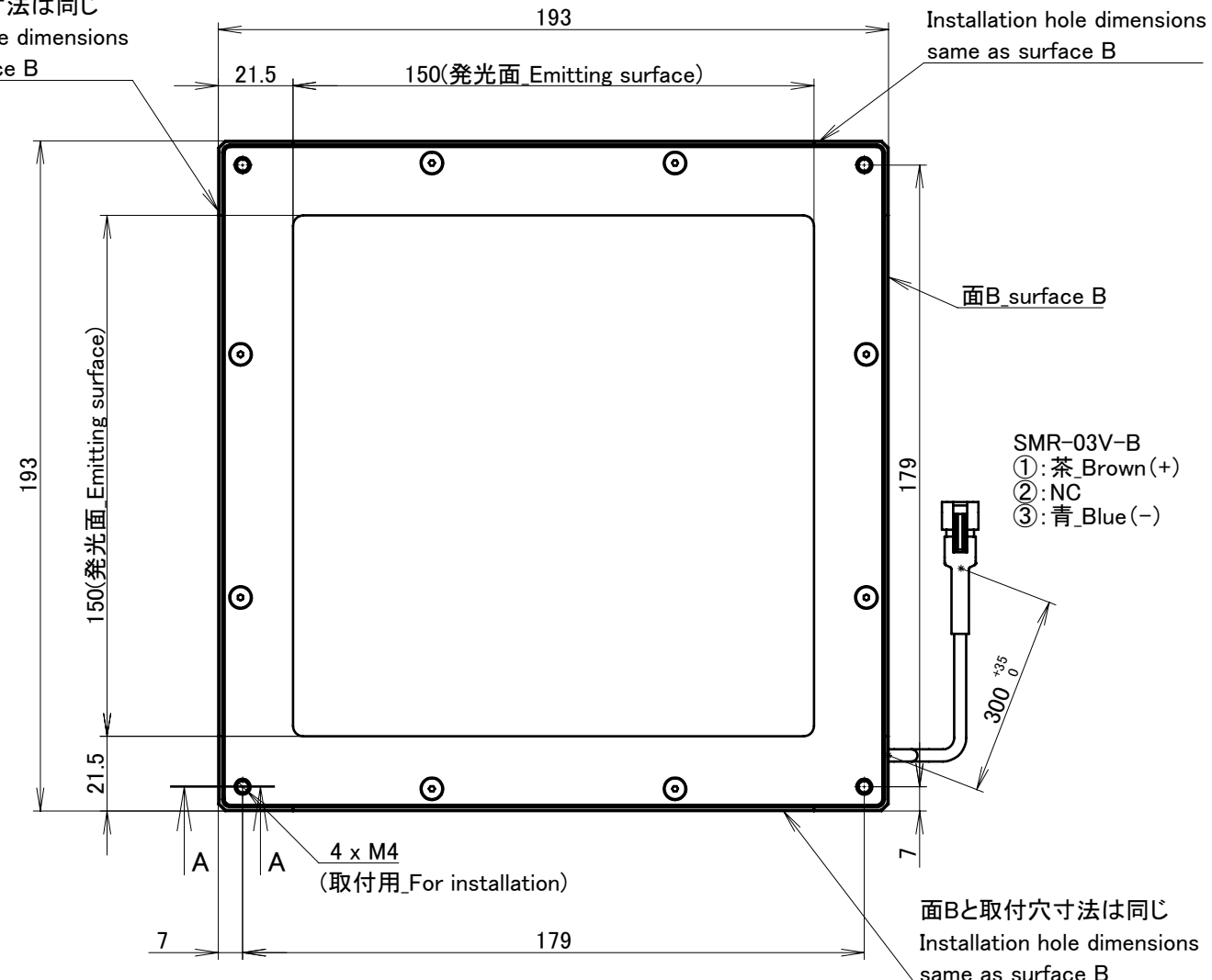
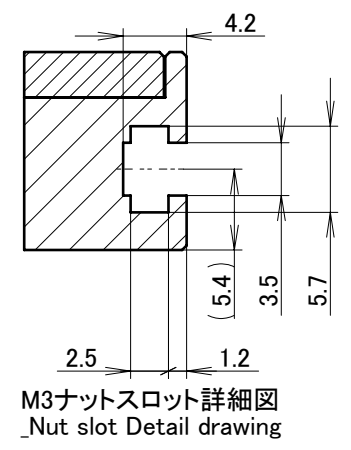
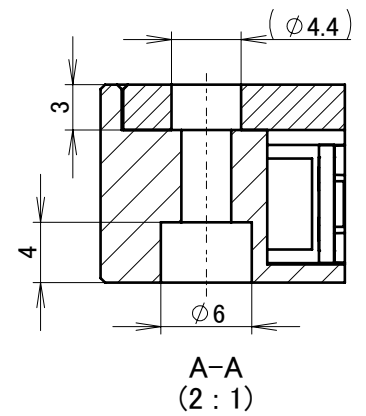
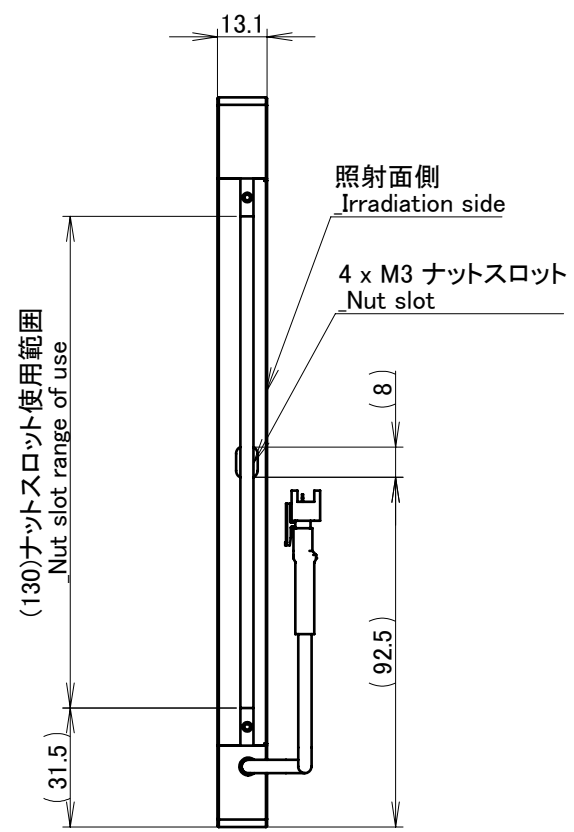


面Bと取付穴寸法は同じ  
Installation hole dimensions  
same as surface B

面Bと取付穴寸法は同じ  
Installation hole dimensions  
same as surface B



SMR-03V-B  
①:茶\_Brown(+)  
②:NC  
③:青\_Blue(-)



	LFX3-150SW-PT-A	LFX3-150SW-PT-B
導光板パターン幅 _Light guide plate pattern width	1mm	2mm

入力電圧\_Input Voltage : DC 24V  
消費電力\_Power Consumption : 35W

ISSUE DATE	SCALE	APPROVED	NAME
2022/10/03	1:2	T.OSAWA	LFX3-150SW-PT-A(A)/LFX3-150SW-PT-B(A)
	SHEET SIZE	CHECKED	DRAWING NAME
	A3	Y.INOUE	外観図_outline
	PROJECTION	DESIGNED	DRAWING No.
		H.KITAGAWA	UA41415-G
		DRAWN	REVISION
		H.KITAGAWA	000

UNIT:mm

REVISION	DATE	DESCRIPTION	REVISED
000			