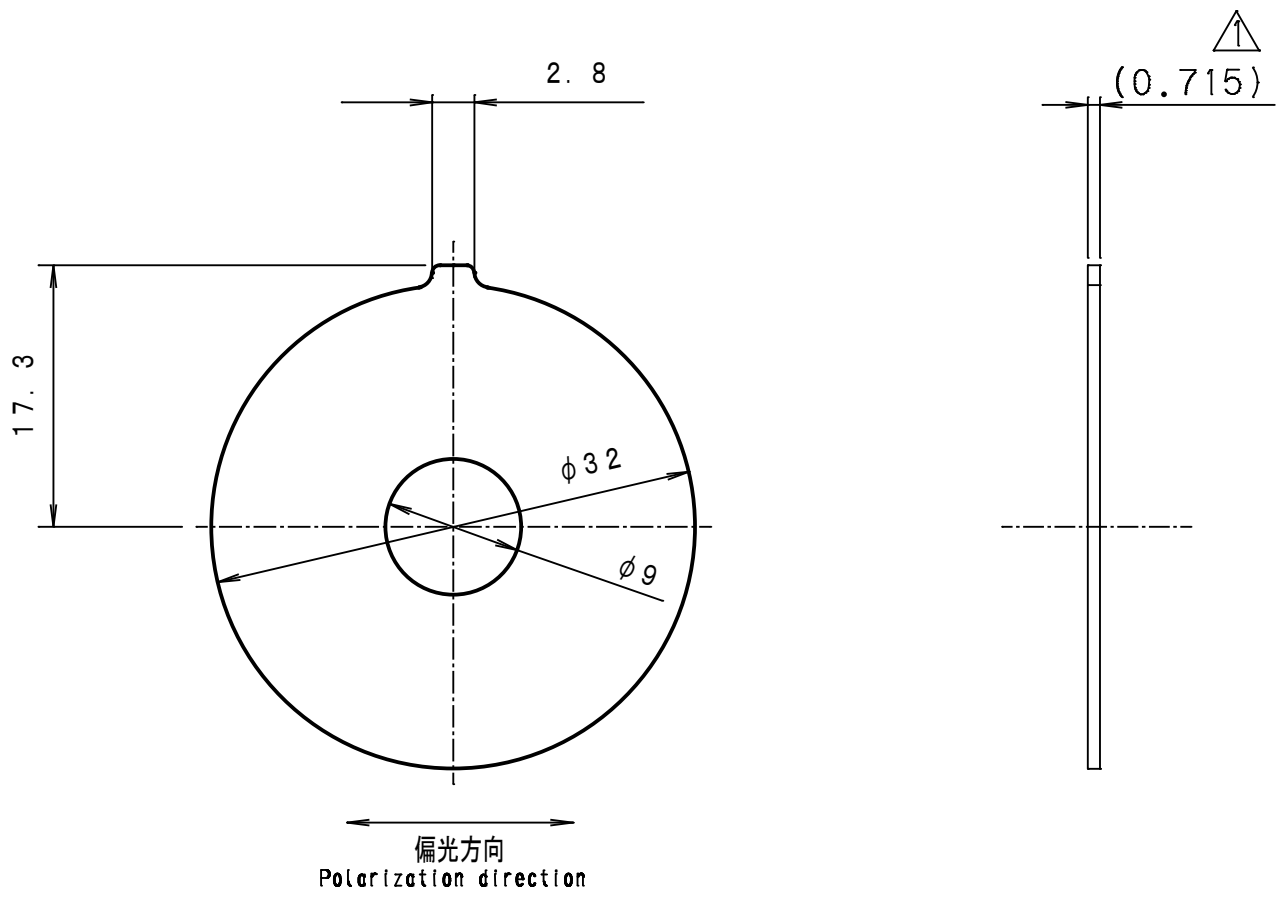


A

B

C

D



旧图番号 Old drawing No.:1205-700

UNIT:mm

001	2022/09/27	材料変更 Material change.	N.YAMOTO
REVISION	DATE	DESCRIPTION	REVISED

ISSUE DATE	SCALE	APPROVED	NAME	
2004/04/27	2:1	K.MIURA	PL-LDR-32	
CCS CCS Inc.	SHEET SIZE	CHECKED	DRAWING NAME	
	A4	K.FUNAKI	外觀図_Outline	
PROJECTION		DESIGNED	DRAWING No.	REVISION SHEET
		C.S		
		DRAWN	UA08245-G	001
		N.MATSUMOTO		