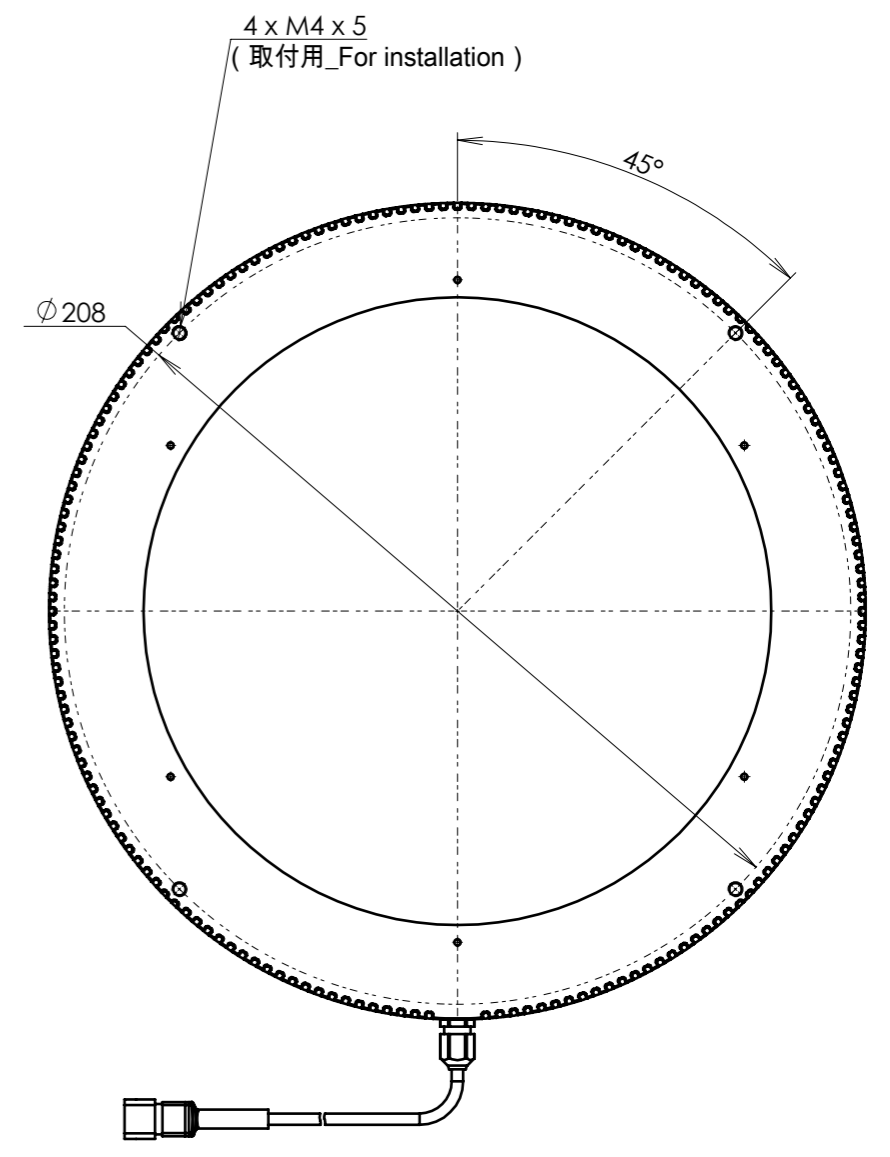
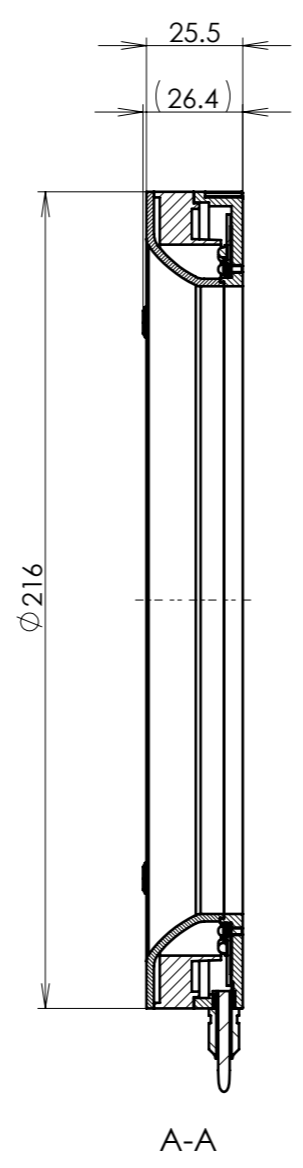


SM connector 3P  
 ① : チャ\_Brown ( + )  
 ② : NC  
 ③ : アオ\_Blue ( - )



入力電圧\_Input Voltage : DC 24V  
 消費電力\_Power Consumption : 46W

UNIT:mm

REVISION	DATE	DESCRIPTION	REVISED
000			

ISSUE DATE	SCALE	APPROVED	NAME
2014/12/17	1:2	Y.SHIKANO	HPR2-200IR860
SHEET SIZE	A3	CHECKED	DRAWING NAME
		T.OSAWA	外觀図_Outline
PROJECTION	DRAWN	DESIGNED	DRAWING No.
		R.Sooraj	UA19233-G
CCS Inc.			REVISION SHEET
			000 / 01